

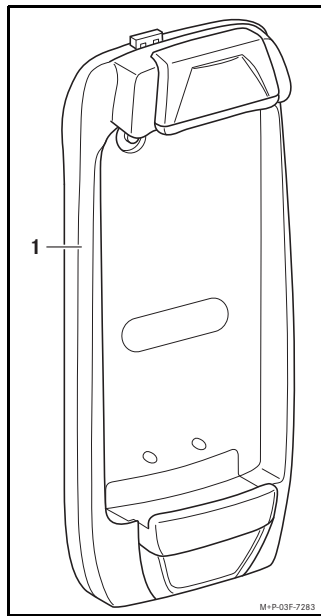


Mercedes-Benz

Accessories

Installation Instructions

Mobile phone bracket  
Blackberry 8300, 8310 and 8320



1

GB

Validity

These installation instructions are valid for vehicles equipped with a

- mobile phone fitting with interface (code 386) or
- Mercedes-Benz mobile phone (code 388)

in conjunction with a Blackberry 8300, 8310 and 8320 mobile phone.

Parts included

- (1) Mobile phone cradle

Notes

If you encounter difficulties during the installation, please contact a qualified specialist workshop. Mercedes-Benz recommends that you use a Mercedes-Benz Service Centre for this purpose.

The manufacturer reserves the right to change technical details from those shown in the illustrations contained in these installation instructions.

These installation instructions also refer to the COMAND and audio system operating instructions, the vehicle Owner's Manual and the mobile phone operating instructions. Please keep them handy for reference.

At high ambient temperatures, the cradle can become very hot when in operation, as is the case with the vehicle interior itself.

© 2008, Daimler AG

06/08  
03F026-08

Contents

2

Fitting the mobile phone cradle	▷ 4
Inserting the mobile phone	▷ 5
Pairing the mobile phone with the mobile phone cradle	▷ 6
Connecting the mobile phone to the mobile phone cradle	▷ 8
General notes on operation	▷ 8
Manually connecting the mobile phone with the mobile phone cradle	▷ 9
Transfer address book	▷ 10
Language selection	▷ 10
Automatically disconnecting the Bluetooth® connection between the mobile phone and the mobile phone cradle	▷ 11
Manually disconnecting the Bluetooth® connection between the mobile phone and the mobile phone cradle	▷ 11
Removing the mobile phone	▷ 12
Detaching the mobile phone cradle	▷ 12



Risk of accident

If it is legally permissible to use the mobile phone while driving, only do so when traffic conditions allow for it. You may otherwise become distracted from the traffic, which may lead to an accident in which you or others may be injured.

Please comply with the legal regulations of the country in which you are driving when you use the mobile phone inside the vehicle.

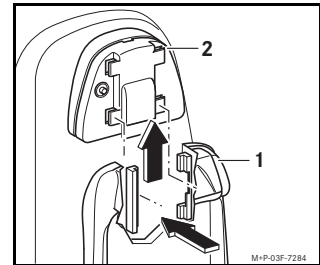
For safety reasons, while driving, only use the hands-free system to make calls.

When you are using the mobile phone via the hands-free system, drive with extra caution, close all windows and try to eliminate background noise.

Please pull over or park the car if you do not wish to use the hands-free system to make a call. Do not stop the vehicle or park where it is prohibited to do so.

3

Fitting the mobile phone cradle



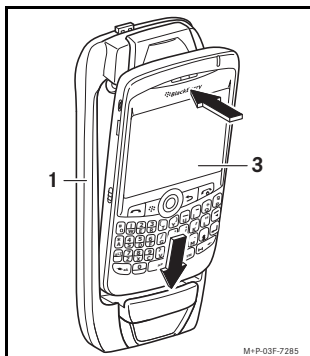
Press the mobile phone cradle (1) into the catches of the bracket (2) and push it upwards until it audibly engages.

4

### Inserting the mobile phone

The mobile phone should be placed in the mobile phone cradle to charge the batteries and to establish a connection to the external aerial.

After a Bluetooth® connection has been established, it is possible to use the mobile phone via the vehicle's operating system/on-board computer within a distance of several metres, even if the mobile phone is not inserted in the cradle.



Insert mobile phone (3) into the cradle (1) as shown so it engages into place.

### Connecting the mobile phone to the mobile phone cradle

After the mobile phone is paired, the connection between the mobile phone cradle and the mobile phone is established automatically. The LED on the cradle lights up continuously.

In order for the hands-free system to function properly, the mobile phone in the cradle may not simultaneously be connected with the Bluetooth® interface of COMAND or the audio system. (Please refer to the COMAND or audio system operating instructions.)

Only one mobile phone can be connected to the cradle at any one time.

With the ignition key in position 1 or 2, the cradle automatically searches for the mobile phone connected last and establishes a connection to this mobile phone. If the mobile phone connected last is not found, the cradle searches for the previously connected mobile phone(s).

### General notes on operation

The mobile phone uses more power when operating with Bluetooth®. Therefore, the mobile phone should be placed in the cradle when possible. The mobile phone battery is charged when the key is in position 1 or 2 in the ignition lock.

COMAND and the vehicle's operating system/on-board computer cannot be used to access text messages (SMS) and call lists.

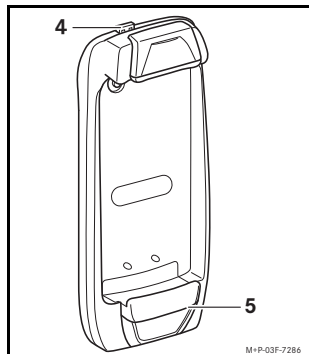
The mobile phone cradle supports the holding and transferring of calls. Depending on the mobile network provider, these functions can be set up on the mobile phone. (Please refer to the mobile phone operating instructions).

### Pairing the mobile phone with the mobile phone cradle

#### Note (valid for C-class vehicles, model series W/S 204)

The mobile phone should always be inserted in the cradle for pairing.

1. Turn the key to position 1 or 2 in the ignition lock. (Please refer to the vehicle Owner's Manual.)



2. Press the Bluetooth® button (4) for approximately 2 seconds.

The LED (5) flashes rapidly. The mobile phone cradle switches to Discovery Mode and can be recognised by the mobile phone.

3. "Menu" → "Options" → "Bluetooth" → "Menu" → Select "Enable Bluetooth" on the mobile phone. (Please refer to the mobile phone operating instructions.)

Not every ring tone can be issued by COMAND or the vehicle's operating system/on-board computer.

While there is a connection between the mobile phone and the cradle, the name of the mobile service provider is displayed in the operating system/on-board computer, as long as there is sufficient reception.

It is recommended that you switch off the mobile phone at least once a month. (Please refer to the mobile phone operating instructions.)

### Manually connecting the mobile phone with the mobile phone cradle

#### Note

Before being manually connected, the mobile phone must be paired with the cradle (see ▷ 6).

The Bluetooth® connection can be established manually as follows:

For S-Class vehicles, W/V 22 1, and CL-Class vehicles, C 2 16:

- Select "Tel" → "Tel" → "Telephone" using the COMAND controller. (Please refer to the vehicle Owner's Manual.)

For all other vehicle model series:

- Press the Bluetooth® button on the cradle for approx. 1 second.

#### Note

Within a range of several meters to the cradle, the Bluetooth® connection remains active and any incoming calls are taken on the hands-free system. Therefore, the connection between the mobile phone and the cradle should be disconnected manually when you leave the vehicle (see ▷ 11).

4. "Menu" → "Options" → "Bluetooth" → "Menu" → Select "Add device" on the mobile phone. (Please refer to the mobile phone operating instructions.)

The mobile phone begins searching for the cradle. When the mobile phone finds the cradle, "MB Curve Cradle" appears on the mobile phone display.

5. Select "MB Curve Cradle" on the mobile phone. The numeric passkey prompt appears in the display of the mobile phone.

6. Enter the master key 62872 on the mobile phone.

7. "Accept connection request from MB Curve Cradle?" Confirm with "Yes" and activate "Don't ask this question again" to enable an automatic connection between mobile phone and cradle. The LED (5) lights up continuously. The mobile phone is now paired with the cradle.

#### Note

A maximum of 4 mobile phones can be paired with the mobile phone cradle, but only one can be connected at a time. If a fifth mobile phone is paired with the mobile phone cradle, the mobile phone that was paired first is deleted.

### Transfer address book

Select the following settings on the mobile phone for a correct transfer of the address book entries from the mobile phone to the vehicle's operating system/on-board computer:

1. "Menu" → "Options" → "Security options" → "General settings" → "Content protection" → "Include Address Book" → "No"
2. "Menu" → "Options" → "Bluetooth" → "Menu" → "Options" → "Do not deactivate address book transfer"

### Language selection

The built-in language selection function in the mobile phone can be activated by COMAND or the vehicle's operating system/on-board computer.

1. Enter "555" on the COMAND or vehicle's operating system/on-board computer and start the dialling with "SEND".

The language selection function of the mobile phone is installed.

2. Say the desired voice selection after the acoustic prompt. (Please refer to the mobile phone operating instructions for more information about voice selection.) When the voice selection has been recognised, the stored telephone numbers are dialled. (Please refer to the mobile phone operating instructions.)

#### Note

If the language selection is not recognised or if the mobile phone's language selection function is stopped, the connection to the language selection will be ended after approx. 5 seconds on the COMAND or vehicle's operating system/on-board computer. If this happens, please repeat steps 1 and 2.

### Automatically disconnecting the Bluetooth® connection between the mobile phone and the mobile phone cradle

The connection between the mobile phone and the cradle is automatically disconnected beyond the reception range of several meters.

### Manually disconnecting the Bluetooth® connection between the mobile phone and the mobile phone cradle

The Bluetooth® connection can be disconnected manually as follows:

For S-Class vehicles, W/V 221, and CL-Class vehicles, C 216:

- Select "Tel" → "Tel" → "Telephone off" using the COMAND controller. (Please refer to the vehicle Owner's Manual.)

On the mobile phone:

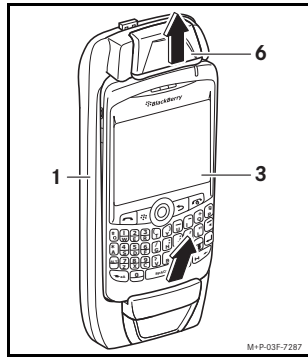
- Please refer to the mobile phone operating instructions.

### Notes

During an active call, the connection between the mobile phone and the cradle can only be disconnected on the mobile phone. (Please refer to the mobile phone operating instructions.)

After the Bluetooth® connection has been manually disconnected, an active call can be connected to the vehicle by pressing the Bluetooth® button on the cradle.

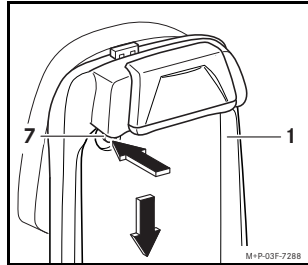
### Removing the mobile phone



Slide the locking tab (6) upwards and remove the mobile phone (3) from the cradle (1).

### Detaching the mobile phone cradle

1. Take the mobile phone out of the cradle.



2. Press the release button (7), slide the cradle (1) downwards and remove.