

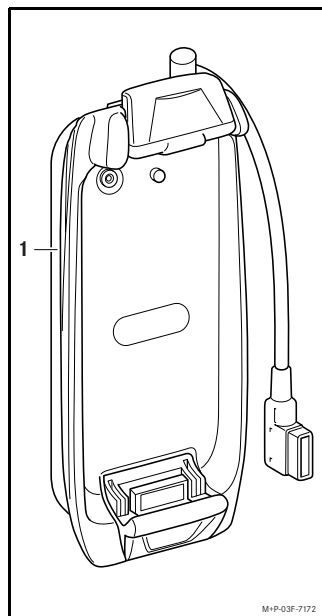


Mercedes-Benz

## Accessories

### Installation Instructions

Mobile phone bracket Apple iPhone



1



#### Validity

These installation instructions are valid for vehicles equipped with a

- Mobile phone fitting with interface (Code 386) or
- Mercedes-Benz mobile phone (code 388)

Each in combination with Apple iPhone 3G.

#### Components

- (1) Mobile phone cradle including connector plug for the Media Interface / iPod Interface Kit

In the following text, this will be referred to as "cradle".

#### Notes

Please contact a qualified specialist workshop if you encounter difficulties when fitting the telephone module. Mercedes-Benz recommends that you use a Mercedes-Benz Service Centre for this purpose.

The manufacturer reserves the right to change technical details from those shown in the illustrations contained in these installation instructions.

These installation instructions also refer to the COMAND and Audio Operating Instructions, the vehicle Owner's Manual and the mobile phone operating instructions. Please keep them handy for reference.

At high outside temperatures, the cradle can become very hot when in operation, as is the case with the vehicle interior itself.

Do not open up the cradle and do not make any modifications on the cradle. Otherwise the type approval will be rendered invalid.

© 2008, Daimler AG

11/08  
03F074-08

#### Contents

Fitting the holder	▷ 4
Inserting the mobile phone	▷ 5
Pairing the mobile phone with the cradle	▷ 6
Connecting the mobile phone to the cradle	▷ 7
Switching to hands-free mode	▷ 8
General notes on operation	▷ 9
Using the iPod functions	▷ 9
Removing the mobile phone	▷ 10
Removing the cradle	▷ 10

2



#### Risk of accident

Please comply with the legal regulations of the country in which you are driving when you are using the telephone inside the vehicle.

If it is legally permissible to use the telephone while driving, only do so when traffic conditions allow for it. You may otherwise become distracted from the traffic, which may lead to an accident in which you or others may be injured.

For safety reasons, only use the hands-free system when making calls while driving.

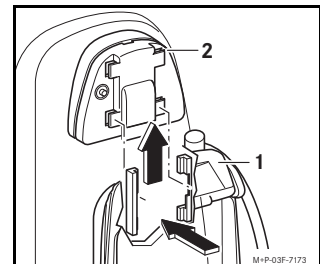
When you are using the mobile phone via the hands-free system, drive with extra caution, close all windows and try to eliminate background noise.

Please pull over or park the car if you do not wish to use the hands-free system to make a call. Do not stop the vehicle or park where it is prohibited to do so.

Place the telephone module into the cradle only while the vehicle is at a standstill. You could otherwise be distracted and cause an accident.

3

#### Fitting the holder

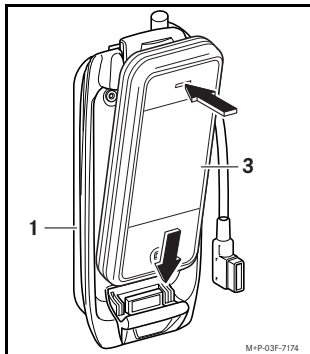


1. Slide the cradle (1) onto the contact plate (2) until it audibly engages.

4

### Inserting the mobile phone

It is only possible to use the hands-free system and the telephone functions via the operating system/on-board computer if there is a Bluetooth® connection between the mobile phone and the cradle.



1. Place the mobile phone (3) onto the plug connector of the cradle (1) and guide it into the cradle using light pressure above the display until it audibly engages into place.

#### Note

The display message "This accessory was not developed for use with the iPhone. Would you like to switch on aircraft mode to reduce audio interferences? You will no longer be able to place or receive calls." should be refused with "No" or ignored. The message appears if the connector plug is inserted in the Media Interface / iPod Interface Kit and disappears after approx. 15 seconds automatically without resulting in function limitations.

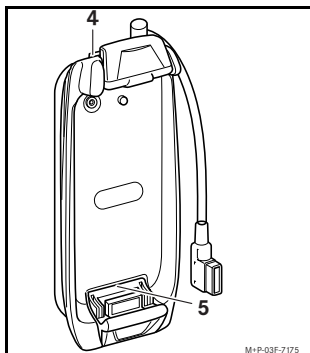
### Pairing the mobile phone with the cradle

For pairing, the mobile phone must be in the vehicle but not in the cradle.

#### Note

The mobile phone should be fully charged for the pairing with the cradle.

1. Turn the ignition key to position 1, 2 or 3. (Please refer to the vehicle Owner's Manual.)



2. Press the Bluetooth® button (4) for approximately 2 seconds. The LED (5) flashes rapidly. The cradle is visible to searching devices for approx. 2 minutes and can be detected by the mobile phone.

3. Select "Settings" → "General" → "Bluetooth" on the mobile phone and set the button to "I". (Please refer to the mobile phone operating instructions.)

The mobile phone begins searching for the cradle. When the mobile phone finds the cradle, „iPhone Cradle“ appears in the mobile phone display.

4. Select "iPhone Cradle" on the mobile phone.

A passkey prompt appears in the display of the mobile phone.

5. Enter the number 62872 on the mobile phone and confirm with "connect".

6. The mobile phone is now ready to be used with the hands-free system.

#### Note

A maximum of 4 mobile phones may be paired with the cradle. If a fifth mobile phone is paired with the mobile phone cradle, the mobile phone that was paired first is deleted.

### Connecting the mobile phone to the cradle

After the pairing, the connection between the mobile phone and the cradle is established automatically. The LED on the cradle lights up continuously.

In order for the hands-free system to function properly, the phone may not be connected with the Bluetooth® interface of COMAND or the Audio System. Please refer to the separate Operating Instructions of COMAND or the Audio System.

Insert the mobile phone in the cradle and turn the ignition key to position 1, 2 or 3. (Please refer to the vehicle Owner's Manual.)

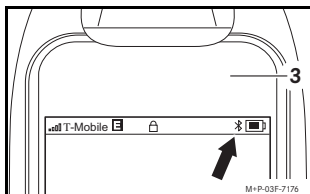
#### Note

Briefly press the Bluetooth® button if you would like to manually connect to a different mobile phone (the next paired mobile phone) instead of automatically connecting to the mobile phone inserted in the cradle.

The existing connection between mobile phone and cradle is disconnected and the next paired mobile phone is searched for.

### Switching to hands-free mode

For the hands-free system to operate properly, the mobile phone has to be inserted and switched on, and hands-free mode has to be activated.



The Bluetooth® symbol (arrow) in the display of the mobile phone changes from grey to white.

#### Note

If you have activated "Airplane mode", no connection will be established between the cradle and the inserted mobile phone. (Please refer to the mobile phone operating instructions.)

### General notes on operation

If the mobile phone is placed in the cradle during an active call, the telephone number will not be displayed on COMAND and/or the audio system.

For information on operating the mobile phone via the multi-function steering wheel, see the COMAND and/or Audio Operating Instructions and/or the vehicle Owner's Manual.

COMAND and the vehicle's operating system/on-board computer cannot access text messages (SMS).

It is recommendable to switch off the mobile phone at least once a months. (Please refer to the mobile phone operating instructions.)

The mobile phone battery is charged when the ignition key is in position 1, 2 or 3.

### Using the iPod functions

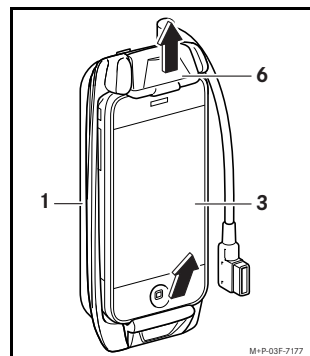
If your vehicle is equipped with a Media Interface or an iPod Interface Kit, it is possible to access the iPod functions of the iPhone in the cradle via COMAND or the operating system/on-board computer. Please refer to the COMAND, audio or vehicle Owner's Manual and the mobile phone operating instructions for this.

#### Note

A competent installation by a qualified specialist workshop must be performed for the connection of the cradle to the Media Interface or the iPod Interface Kit. Mercedes-Benz recommends that you use a Mercedes-Benz Service Centre for this purpose.

For SL-Class vehicles (date of manufacture after 03/2008), you can carry out the connection of the cradle to the Media Interface or the iPod Interface Kit on your own via the plug connector in the centre console.

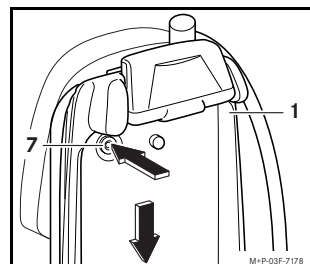
### Removing the mobile phone



1. Slide the locking tab (6) upwards and remove the mobile phone (3) from the cradle (1).

### Detaching the mobile phone cradle

1. Remove the mobile phone from the cradle (see above).



2. Press the release button (7), slide the cradle (1) downwards and remove.