



Mercedes-Benz

Accessories

Installation Instructions

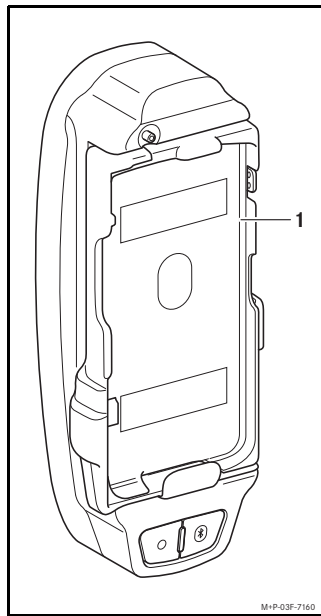
Mobile phone bracket  
Motorola RAZR<sup>2</sup> V8 and V9

© 2008, Daimler AG

05/08  
03F006-08

2

Contents	
Fitting the holder	▷ 4
Inserting the mobile phone	▷ 5
Pairing the mobile phone with the cradle	▷ 8
Connecting the mobile phone to the cradle	▷ 10
General notes on operation	▷ 11
Removing the mobile phone	▷ 12
Removing the cradle	▷ 13



3

**⚠ Risk of accident**

Please comply with the legal regulations of the country in which you are driving when you are using the telephone inside the vehicle.

If it is legally permissible to use the telephone while driving, only do so when traffic conditions allow for it. You may otherwise become distracted from the traffic, which may lead to an accident in which you or others may be injured.

For safety reasons, only use the hands-free system when making calls while driving.

When you are using the mobile phone via the hands-free system, drive with extra caution, close all windows and try to eliminate background noise.

Please pull over or park the car if you do not wish to use the hands-free system to make a call. Do not stop the vehicle or park where it is prohibited to do so.

Place the telephone module into the cradle only while the vehicle is at a standstill. You could otherwise be distracted and cause an accident.



Validity

These installation instructions are valid for vehicles equipped with a

- Mobile phone fitting with interface (Code 386) or
- Mercedes-Benz mobile phone (code 388)

Each in combination with Motorola mobile phone RAZR<sup>2</sup> V8 or RAZR<sup>2</sup> V9.

Components

- (1) Mobile phone cradle

In the following text, this will be referred to as "cradle".

Notes

Please contact a qualified specialist workshop if you encounter difficulties when fitting the telephone module. Mercedes-Benz recommends that you use a Mercedes-Benz Service Centre for this purpose.

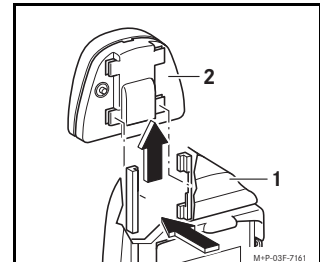
The manufacturer reserves the right to change technical details from those shown in the illustrations contained in these installation instructions.

These installation instructions also refer to the COMAND and Audio Operating Instructions, the vehicle Owner's Manual and the mobile phone operating instructions. Please keep them handy for reference.

At high outside temperatures, the cradle can become very hot when in operation, as is the case with the vehicle interior itself.

The installation procedure is shown using the Motorola RAZR<sup>2</sup> V8 mobile telephone as an example. Follow the same procedure to install the Motorola RAZR<sup>2</sup> V9 mobile telephone.

Fitting the holder



1. Slide the cradle (1) onto the contact plate (2) until it audibly engages.

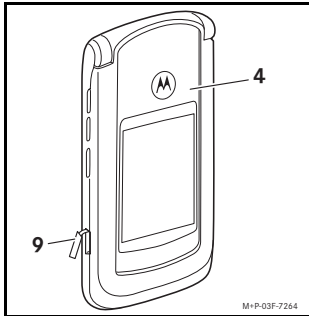
### Inserting the mobile phone

It is only possible to use the hands-free system and the telephone functions via the operating system/on-board computer when the mobile phone is in the cradle and a Bluetooth® connection is established.

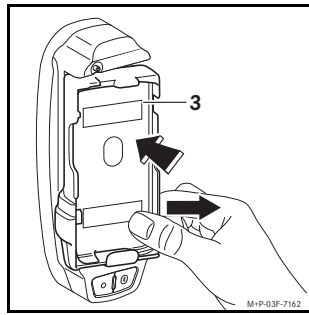
Close the mobile phone before placing it in the cradle.

#### Note

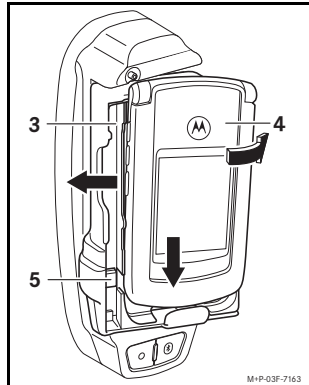
An active call is ended by closing the mobile phone.



1. Remove the cover (9) from the mobile phone (4).



2. Press the bracket (3); it swings out automatically.
3. Pull the bracket (3) out to the right.



4. Place the mobile phone (4) in the bracket (3) and then insert it fully.

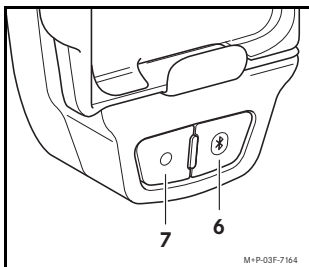
5. Slide the bracket (3) to the left to close, making sure that
  - the connector (5) on the mobile phone (4) engages into place
  - you do not press the lateral buttons on the mobile phone (4).

6. Press the bracket (3) with mobile phone (4) back until it engages.

### Pairing the mobile phone with the cradle

For pairing, the mobile phone may not be inserted in the cradle, but must be in the vehicle.

1. Turn the ignition key to position 1, 2 or 3. (Please refer to the vehicle Owner's Manual.)



2. Press the Bluetooth® button (6) for approximately 2 seconds. The LED (7) flashes rapidly. The mobile phone cradle switches to Discovery Mode and can be recognised by the mobile phone. „MB RAZR2 cradle“ appears on the mobile phone display to indicate the mobile phone cradle.

3. Select "Main Menu" → "Settings" → "Connections" → "Bluetooth" → "Options" on the mobile phone, select → "Manage" → "Setup Bluetooth" → "Bluetooth Power" → "On". (Please refer to the mobile phone operating instructions.)

#### Note on operation - RAZR2 V9

Select "Main Menu" → "Connection" → "Bluetooth Link" → "Settings" → "Bluetooth Power" → "On" on the mobile phone. (Please refer to the operating instructions for the mobile phone.)

4. Select "Main Menu" → "Settings" → "Connections" → "Bluetooth" → "Options" on the mobile phone, select → "Search for Devices". (Please refer to the mobile phone operating instructions.)

The mobile phone begins searching for the mobile phone cradle. When the mobile phone finds the cradle, „MB RAZR2 cradle“ appears in the mobile phone display.

#### Note on operation - RAZR2 V9

Select "Main Menu" → "Connection" → "Bluetooth Link" → "[Add Audio Device]" on the mobile phone. (Please refer to the mobile phone operating instructions.)

5. Select „MB RAZR2 cradle“ on the mobile phone and confirm. After confirmation, a passkey request appears on the display.

6. Enter the number 62872 (passkey) on the mobile phone and confirm with "ok".

#### Note

As soon as the passkey has been entered and accepted, a display message appears to confirm the connection setup. The connection between the mobile phone and cradle is then disconnected automatically.

7. The mobile phone is now ready to be used with the hands-free system.

#### Note

A maximum of 4 mobile phones may be paired with the cradle. If a fifth mobile phone is paired with the mobile phone cradle, the mobile phone that was paired first is deleted.

### Connecting the mobile phone to the cradle

After the pairing, the connection between the mobile phone and the cradle is established automatically as soon as the mobile phone is inserted in the cradle. The LED on the cradle lights up continuously.

In order for the hands-free system to function properly, the phone which is in the cradle may not be connected with the Bluetooth® interface of COMAND or the Audio System. Please refer to the separate Operating Instructions of COMAND or the Audio System.

Insert the mobile phone in the cradle and turn the ignition key to position 1, 2 or 3. (Please refer to the vehicle Owner's Manual.)

#### Notes

Only the mobile phone which is inserted in the cradle is connected to the cradle. A Bluetooth® link is not established if the mobile phone is not inserted in the cradle.

In order to use the hands-free system, the mobile phone must be inserted in the cradle.

The mobile phone battery is charged when the ignition key is in position 1, 2 or 3.

While there is a connection between the mobile phone and the cradle, the name of the mobile service provider is displayed in the operating system/on-board computer, as long as there is sufficient reception.

**General notes on operation**

The Bluetooth® connection between the mobile phone and the cradle is interrupted automatically when the mobile phone is removed from the cradle. An active call is ended by removing the mobile phone from the cradle.

When the mobile phone is inserted in the cradle, the ringing tone always sounds, even if the "Silent" profile is enabled.

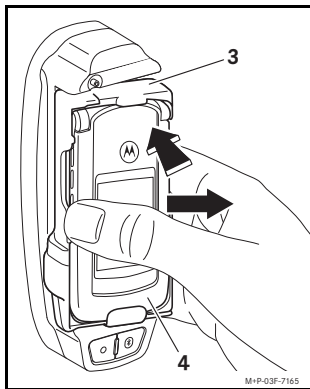
For information on operating the mobile phone via the multi-function steering wheel, see the COMAND and/or Audio Operating Instructions and/or the vehicle Owner's Manual.

COMAND and the vehicle's operating system/on-board computer cannot be used to access text messages (SMS) and call lists.

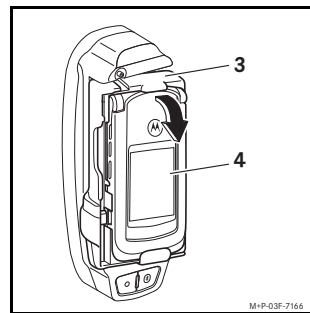
It is recommendable to switch off the mobile phone at least once a month. (Please refer to the mobile phone operating instructions.)

**Note - RAZR® V8**

If a call is accepted or placed while the phone book is being transferred into COMAND or the audio system, it is possible that the Motorola RAZR® V8 freezes. In this case, switch the mobile phone off, briefly remove the battery and switch the phone on again. (Please refer to the mobile phone operating instructions.)

**Removing the mobile phone**

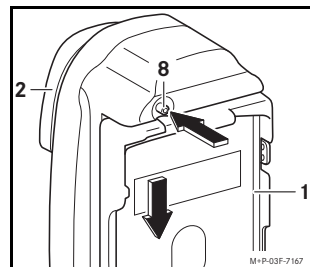
1. Press the mobile phone (4); the bracket (3) swings open automatically.
2. Pull the bracket (3) with mobile phone (4) out to the right.



3. Take the mobile phone (4) out of the bracket (3) as shown in the illustration.
4. Slide the bracket (3) to the left and press back until it engages.

**Detaching the mobile phone cradle**

1. Remove the mobile phone from the cradle (see above).



2. Press the release button (8), slide the cradle (1) downwards and remove it from the bracket (2).