



Mercedes-Benz

Accessories

Installation Instructions

Mobile telephone cradle

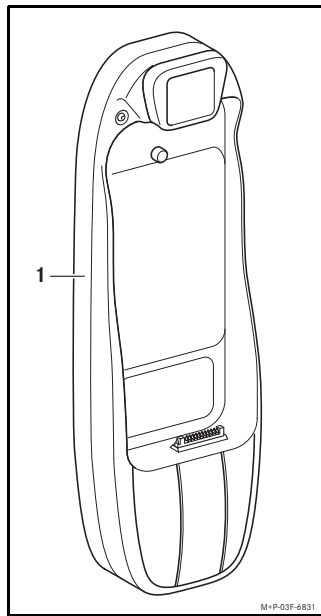
Nokia 6233, Nokia 6234, Nokia 6070,
Nokia 6080, Nokia 6151 and
Nokia 5070

© 2007, Daimler AG

10/07
03F057-06

Contents

- Fitting the holder > 4
Inserting the mobile phone > 4
Switching to hands-free mode > 5
General notes on operation > 6
Setting up the vehicle profile > 7
Speed-dial keys > 7
Run-on time > 8
Removing the mobile phone > 9
Removing the cradle > 9



M+P-03F-6831



Validity

These installation instructions are valid for vehicles equipped with a

- Mobile phone fitting with interface (Code 386) or
Mercedes-Benz mobile phone (code 388) or
Mercedes-Benz hands-free system for the multi-function steering wheel

Each in combination with Nokia mobile phones 6233, 6234, 6070, 6080, 6151 or 5070.

Components

- (1) Mobile phone cradle

In the following text, this will be referred to as "cradle".

Notes

Please contact a qualified specialist workshop if you encounter difficulties when fitting the telephone module. Mercedes-Benz recommends that you use a Mercedes-Benz Service Centre for this purpose.

The manufacturer reserves the right to change technical details from those shown in the illustrations contained in these installation instructions.

These installation instructions also refer to the COMAND and Audio Operating Instructions, the vehicle Owner's Manual and the mobile phone operating instructions. Please keep them handy for reference.

The installation and operation is described for the Nokia mobile phone 6233. Installation and operation of the Nokia mobile phones 6234, 6070, 6080, 6151 and 5070 are done in the same manner.



Risk of accident

Please comply with the legal regulations of the country in which you are driving when you are using the telephone inside the vehicle.

If it is legally permissible to use the telephone while driving, only do so when traffic conditions allow for it. You may otherwise become distracted from the traffic, which may lead to an accident in which you or others may be injured.

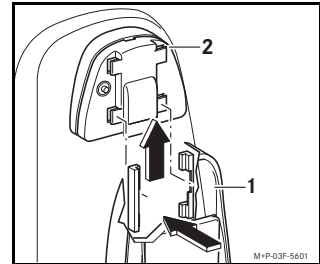
For safety reasons, only use the hands-free system when making calls while driving.

When you are using the mobile phone via the hands-free system, drive with extra caution, close all windows and try to eliminate background noise.

Please pull over or park the car if you do not wish to use the hands-free system to make a call. Do not stop the vehicle or park where it is prohibited to do so.

Only fit the telephone module while the vehicle is at a standstill. You could otherwise be distracted and cause an accident.

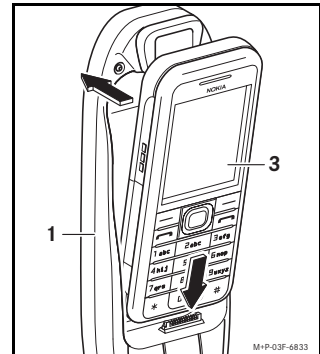
Fitting the holder



M+P-03F-5601

- 1. Slide the cradle (1) onto the contact plate (2) until it audibly engages.

Inserting the mobile phone

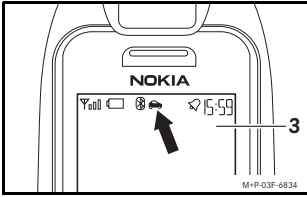


M+P-03F-6833

- 1. Insert the mobile phone (3) into the cradle (1) as shown.

5 Switching to hands-free mode

For the hands-free system to operate properly, the mobile phone has to be inserted and switched on, and hands-free mode has to be activated.



A small vehicle (arrow) appears in the display. If the small vehicle does not appear: remove and re-insert the mobile phone (3).

6 General notes on operation

For information on operating the mobile phone via the multi-function steering wheel, see the COMAND and/or Audio Operating instructions and/or the vehicle Owner's Manual.

Press the **+** or **-** buttons to adjust the volume during a telephone call.

On the mobile phone, the profiles Flight and Silence must be deactivated and the Flight query must be switched off. (Please refer to the mobile phone operating instructions.)

When sending a text message (SMS) the length of which exceeds the character limit of a normal, single text message, it is possible that parts of the text cannot be displayed on COMAND or the Audio system.

If there are too many text messages in the mobile phone's memory, then no text messages will be displayed on COMAND and/or the Audio system.

If, during an active call, the mobile phone is placed in the cradle, the number will not be displayed on COMAND and/or the Audio system.

The setting for transmitting and displaying the telephone number switches to Set by network when the mobile phone is placed in the cradle. (Please refer to the mobile phone operating instructions.) The settings for the transmission of the telephone number in hands-free mode must be made by the network provider or the service provider. To make these settings, please contact the network provider or the service provider.

Note

In the menu Settings → Telephone → Network mode, GSM must be set on the following Nokia mobile phones: 6233, 6234, 6151.

7 Setting up the vehicle profile

A ringtone must be activated in the vehicle profile. Therefore, you should set up your own profile for hands-free mode. (Please refer to the mobile phone operating instructions.)

1. Setting up a profile: On the mobile phone in Menu → Settings → Accessories → Hands-free → Default profile → set, for example, My style 1.
2. Setting the ringtone volume: Set the ringtone volume on the mobile phone in Menu → Settings → Profile → My style 1 → Personalise → Ringing volume.

Speed-dial keys

Speed-dial key for mailbox

The **5** key can be programmed as a speed-dial key for your mailbox.

To program the speed-dial key:

1. Press button (1) on the mobile phone for approximately 3 seconds. In the mobile phone display the message Save voice mailbox number first appears, then a request for you to enter the telephone number of the mailbox.
2. Enter the voice mailbox number on the mobile phone and confirm.

Calling up a speed-dial key

1. Press the **5** button on COMAND and/or the Audio system for approx. 3 seconds.

Other speed-dial keys

On some vehicle model series it is possible to access the SIM card memory keys 3 to 9 via the buttons **3** to **9** on COMAND and/or the Audio system.

8 Note

You must save numbers on memory keys 3 to 9 on the SIM card according to your preference. On Nokia mobile phones 6233, 6234, 6070, 6080, 6151 and 5070 the SIM card memory keys are not displayed. Press buttons **3** to **9** on the operating system in order to show the corresponding number. If, for example, a telephone number is saved on speed-dial key **3**, then this number must be selected on the operating system keypad and may, if necessary, be renamed on the mobile phone. (Please refer to the mobile phone operating instructions.)

Calling up a speed-dial key

1. Press and hold the corresponding button on COMAND or the Audio system for approx. 3 seconds.

Run-on time

For all vehicles, with the exception of the C-Class, model series 204

After the ignition is switched off, the mobile phone remains active for ten minutes. This run-on time can be individually programmed from 1 to 30 minutes.

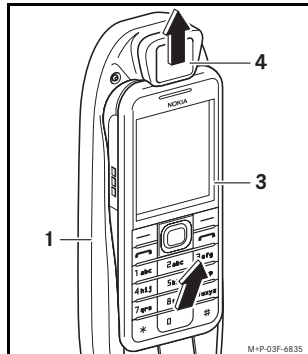
Setting the run-on time

1. Open the mobile phone phonebook. (Please refer to the mobile phone operating instructions.)
2. Create the following entry in the phone book:
 - Name: IDLETIME.
 - Telephone number: desired run-on time in minutes (1 - 30).

Example

Desired run-on time of 30 minutes. Enter 30 as the telephone number under the phone book entry IDLETIME.

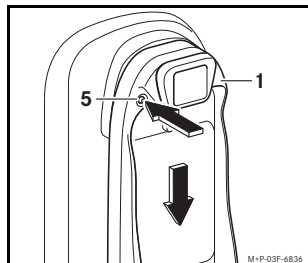
9 Removing the mobile phone



1. Slide the locking tab (4) upwards and remove the mobile phone (3) from the cradle (1).

Removing the cradle

1. Remove the mobile phone from the cradle (see above).



2. Press the release button (5), slide the cradle (1) downwards and remove.