



Mercedes-Benz

Accessories

Installation Instructions

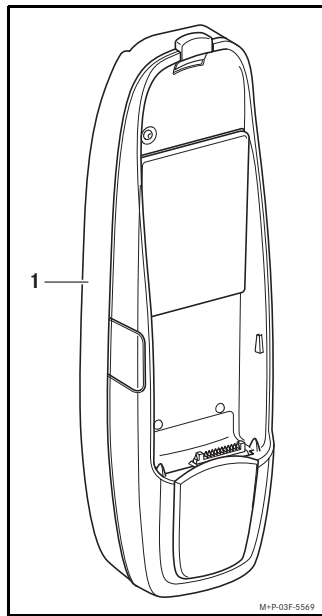
Mobile telephone cradle
Nokia 6220, Nokia 6230 and
Nokia 6230i

© 2007, Daimler AG

05/05
03F059-05

Contents

- Fitting the mobile telephone cradle
Inserting the mobile telephone
Hands-free mode display
Removing the mobile telephone
Detaching the mobile telephone cradle
Operating instructions



GB

Validity

These installation instructions are valid for vehicles with:

- mobile-phone fittings, including an interface (code 386) or
Mercedes-Benz mobile phone (code 388) or
Mercedes-Benz hands-free system for the multi-function steering wheel together with a Nokia 6220, Nokia 6230 or Nokia 6230i mobile telephone.

Parts included

- (1) Mobile telephone cradle

Notes

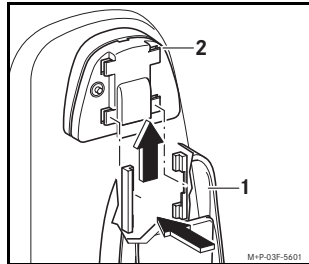
Please contact a qualified specialist workshop if you encounter difficulties when fitting the mobile telephone cradle. Mercedes-Benz recommends that you use a Mercedes-Benz Service Centre for this purpose.

The manufacturer reserves the right to change technical details from those shown in the illustrations contained in these installation instructions.

These installation instructions also refer to the vehicle Owner's Manual. Please keep it handy for reference.

2

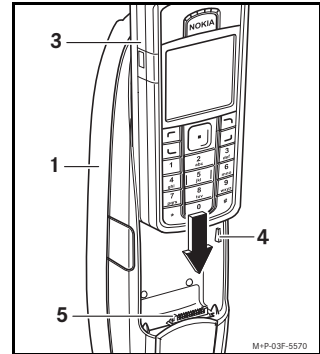
Fitting the mobile telephone cradle



Press the cradle (1) into the catches on the pre-installed retainer (2), keep the cradle (1) pressed and slide it upwards until it clicks into place.

3

Inserting the mobile telephone

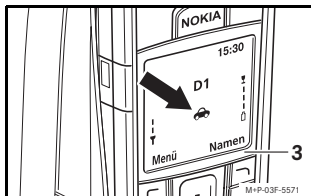


Slide the mobile telephone (3) from above into the cradle (1) so that the catches (4) are pressed apart. Push the mobile telephone (3) onto the plug connector (5), and then press the upper section of the mobile telephone (3) downwards and at an angle into the cradle (1) until the mobile telephone (3) is engaged.

4

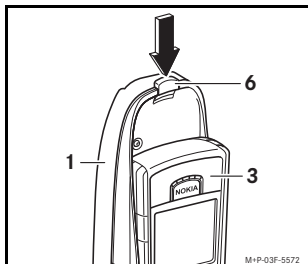
### Hands-free mode display

For the hands-free system to operate properly, the mobile telephone has to be fitted and switched on, and hands-free mode has to be activated.



A small vehicle (arrowed) appears in the display. If this is not the case, remove the mobile telephone (3) and re-insert it.

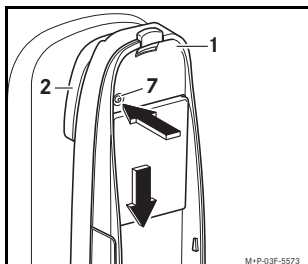
### Removing the mobile telephone



Press the release button (6), and take the mobile telephone (3) out of the cradle (1).

### Detaching the mobile telephone cradle

1. Remove the mobile telephone from the cradle (please refer to the section entitled "Removing the mobile telephone").



2. Press and hold the release button (7). Slide the cradle (1) downwards and remove it from the pre-installed retainer (2).

### Operating instructions

1. Please refer to your Mercedes-Benz vehicle Owner's Manual for operating instructions regarding the mobile telephone cradle in connection with the factory-installed hands-free system (code 386/388).

2. The following operating instructions (points a, b and c) only refer to the retrofitted accessory solution of the Mercedes-Benz hands-free system for the multi-function steering wheel. The "+" and "-" buttons in the description below refer to the multi-function steering wheel.

- General operation of the hands-free system: Operation of the hands-free system via the multi-function steering wheel and how to set the run-on time are explained in the vehicle Owner's Manual.
- Displaying complete names or telephone numbers (this function depends on the vehicle model): The "+" button must be pressed to display the full name of the caller. The "-" button must be pressed to display the entire telephone number of the caller.
- Adjusting the volume of a conversation: During a telephone call, the volume can be increased with the "+" button and reduced with the "-" button.