



Mercedes-Benz

Accessories

Installation Instructions

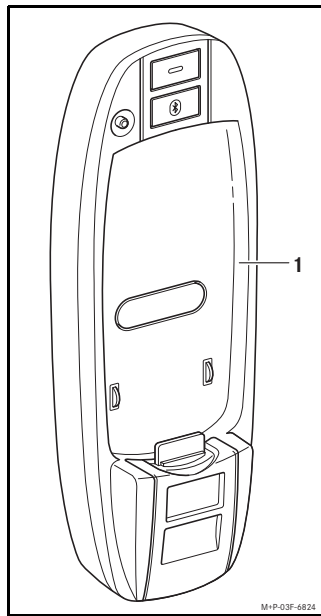
Mobile telephone cradle
Samsung SGH-D600

© 2007, Daimler AG

02/07
03F053-06

2

Contents	
Fitting the mobile telephone bracket	▷ 4
Inserting the mobile telephone	▷ 5
Pairing the mobile phone with the cradle	▷ 6
Connecting the mobile phone to the cradle	▷ 8
Function limitations	▷ 9
Manually connecting the mobile phone with the mobile phone cradle	▷ 10
Automatically disconnecting the Bluetooth® connection between the mobile phone and the mobile phone cradle	▷ 11
Manually disconnecting the Bluetooth® connection between the mobile phone and the mobile phone cradle	▷ 11
Removing the mobile phone	▷ 12
Detaching the mobile phone cradle	▷ 12



M-P-03F-6824



Validity

These installation instructions are valid for vehicles equipped with the following:

- mobile phone fitting with interface (code 386) or
- Mercedes-Benz mobile phone (code 388) or
- Mercedes-Benz hands-free multi-function steering wheel

in conjunction with a Samsung SGH-D600 mobile phone.

Parts included

- (1) Mobile phone cradle

Notes

Please contact a qualified specialist workshop if you encounter difficulties when fitting the mobile phone cradle.


Mercedes-Benz recommends that you use a Mercedes-Benz Service Centre for this purpose.

The manufacturer reserves the right to change technical details from those shown in the illustrations contained in these installation instructions.

These installation instructions also refer to the COMAND and Audio Operating Instructions, the vehicle Owner's Manual and the mobile phone operating instructions. Please keep them handy for reference.

At high outside temperatures, the cradle can become very hot when in operation, as is the case with the vehicle interior itself.

3

 **Risk of accident**

Please comply with the legal regulations of the country in which you are driving when you are using the mobile phone inside the vehicle.

If it is legally permissible to use the mobile phone while driving, only do so when traffic conditions allow for it. You may otherwise become distracted from the traffic, which may lead to an accident in which you or others may become injured.

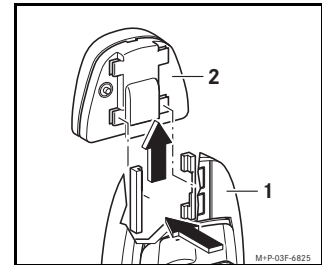
For safety reasons, only use the hands-free system to make calls while driving.

When you are using the mobile phone via the hands-free system, drive with extra caution, close all windows and try to eliminate background noise.

Please pull over or park the car if you do not wish to use the hands-free system to make a call. Do not stop the vehicle or park where it is prohibited to do so.

4

Fitting the mobile telephone bracket



M-P-03F-6825

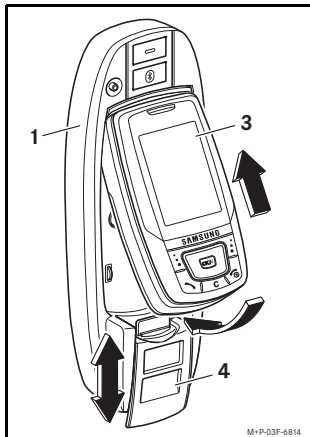
Press the cradle (1) into the catches of the bracket (2) and push it upwards until it audibly engages.

5 Inserting the mobile telephone

Notes

Close the mobile phone before placing it in the cradle.

The mobile phone should be placed in the cradle to charge the batteries and to establish a connection to the external aerial. After a Bluetooth® connection has been established, it is possible to use the mobile phone via the vehicle's operating system/on-board computer within a distance of 10 metres (30 ft), even if the mobile phone is not inserted in the cradle.



Slide the catch (4) downwards, place the mobile phone (3) into the cradle (1) as shown and slide the catch (4) upwards.

8 Connecting the mobile phone to the cradle

After the mobile phone is paired, the connection between the cradle and the mobile phone is established.

Notes

If the cradle and the mobile phone are not connected automatically, the connection can be established manually (see ▷ 10).

Only one mobile phone can be connected to the cradle at any one time.

Mobile phones of a different type cannot be connected to the cradle. A Bluetooth® connection with another mobile phone type is automatically severed after pairing.

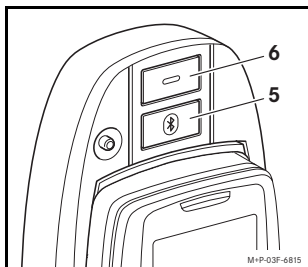
With the ignition key in position 1 or 2, the cradle automatically searches for the mobile phone connected last and establishes a connection to this telephone. If the mobile phone connected last is not found, the cradle searches for the previously connected mobile phone(s).

The mobile phone uses more power when operating with Bluetooth®. Therefore, the mobile phone should always be placed in the cradle, when possible. The mobile phone battery is charged when the ignition key is in position 1 or 2.

6 Pairing the mobile phone with the cradle

1. If the entry "MB D600 Cradle" is in the list of Bluetooth® devices, it must be deleted. (Refer to the mobile phone operating instructions.)

2. Turn the ignition key to position 1 or 2. (Refer to the vehicle Owner's Manual.)



3. Press the Bluetooth® button (5) for approx. 2 seconds. The LED (6) flashes rapidly. The cradle switches to Discovery Mode and can be recognised by the mobile phone. "MB D600 Cradle" appears in the mobile phone display to indicate the cradle.

4. Select "Menu" → "Settings" → "Bluetooth" → "Activation" → "ON" on the mobile phone. (Refer to the mobile phone operating instructions.)

5. Select "My devices" → "Search new device" on the mobile phone. (Refer to the mobile phone operating instructions.)

The mobile phone begins searching for the cradle. After the cradle is found, a passkey request appears on the display.

9 Function limitations

The mobile phone display must remain on the start page. (Refer to mobile phone operating instructions.) Otherwise, a call cannot be connected.

The signal strength display is not transmitted to the cradle by the mobile phone. The vehicle's operating system/on-board computer only shows a bar display.

DTMF tones cannot be entered on the vehicle's operating system/on-board computer. (Refer to the mobile phone operating instructions.)

COMAND and the vehicle's operating system/on-board computer cannot access text messages (SMS).

Not every ring tone can be issued by COMAND or the Audio system.

The mobile phone cradle does not support the holding and transferring of calls. During a call, an incoming call is indicated by a signal tone.

While a connection between a mobile phone and the cradle is active, a Bluetooth® symbol appears in the vehicle's operating system/on-board computer. The name of the mobile network provider is not displayed.

The call lists of the mobile phone are not transmitted to the cradle. Access is not possible via COMAND or the vehicle's operating system/on-board computer.

6. Enter passkey 62872 on the mobile phone.

7. Select "My devices" → "MB D600" → "Options" → "Authorise device" on the mobile phone. (Refer to the mobile phone operating instructions.)

The LED (6) lights up continuously after the passkey is entered. The mobile phone is now paired with the cradle.

10 Manually connecting the mobile phone with the mobile phone cradle

Note

Before being manually connected, the mobile phone must be paired with the cradle (see ▷ 6).

The Bluetooth® connection can be established manually as follows:
For S-Class vehicles, W/V 22 1, and CL-Class vehicles, C 2 16:

- Select "Tel" → "Tel" → "Telephone" using the COMAND controller. (Refer to the vehicle Owner's Manual.)

For all other vehicle model series:

- Press the **TEL** button. (Refer to the COMAND or Audio Operating Instructions.)

Note

Within a range of approx. 10 metres (30 ft) to the cradle, the Bluetooth® connection remains active and any incoming calls are taken on the hands-free system. Therefore, the connection between the mobile phone and the cradle should be disconnected manually when you leave the vehicle (see ▷ 11).

Automatically disconnecting the Bluetooth® connection between the mobile phone and the mobile phone cradle

The connection between the mobile phone and the cradle is automatically disconnected beyond the reception range of approx. 10 meters (30 ft).

Manually disconnecting the Bluetooth® connection between the mobile phone and the mobile phone cradle

The Bluetooth® connection can be manually disconnected as follows:

For S-Class vehicles, W/V 221, and CL-Class vehicles, C 216:

- Select "Tel" → "Tel" → "Telephone off" using the COMAND controller. (Refer to the vehicle Owner's Manual.)

For all other vehicle model series:

- Press the **TEL** button for approx. 3 seconds. Please refer to the COMAND or Audio Operating Instructions.

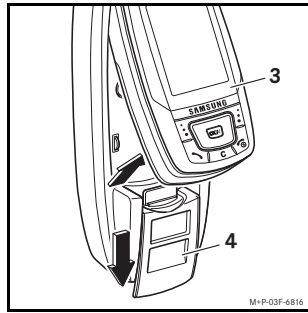
On the mobile phone:

- (Refer to the mobile phone operating instructions.)

Note

During an active call, the connection between the mobile phone and the cradle can only be disconnected on the mobile phone. (Refer to the mobile phone operating instructions.)

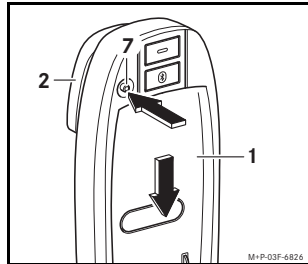
Removing the mobile phone



Slide the catch (4) downwards and remove the mobile phone (3) as shown.

Detaching the mobile phone cradle

1. Remove the mobile phone from the cradle (see above).



2. Press the release button (7), slide the cradle (1) downwards and remove it from the bracket (2).