



Mercedes-Benz

Accessories

Installation Instructions

Mobile phone bracket  
Sony Ericsson K770i and T650i

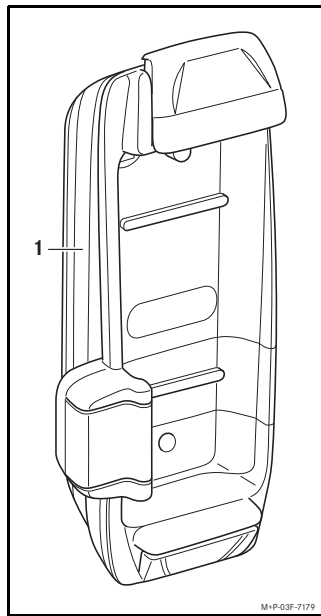
© 2008, Daimler AG

03/08  
03F013-08

2 |

Contents

- Fitting the cradle ▷ 4
- Inserting the mobile telephone ▷ 5
- Switching to hands-free mode ▷ 6
- Downloading the phone book ▷ 7
- Operating instructions ▷ 7
- Speed-dial keys ▷ 8
- Removing the mobile phone ▷ 9
- Removing the cradle ▷ 9



Validity

These installation instructions are valid for vehicles equipped with a

- Mobile phone fitting with interface (Code 386) or
- Mercedes-Benz mobile phone (Code 388) or
- Mercedes-Benz hands-free multi-function steering wheel

- Each in conjunction with a Sony Ericsson mobile telephone K770i or T650i.

Parts included

- (1) Mobile phone cradle

In the following text, this will be referred to as "cradle".

General notes

Please contact a qualified specialist workshop if you encounter difficulties when fitting the cradle. Mercedes-Benz recommends that you use a Mercedes-Benz Service Centre for this purpose.

The manufacturer reserves the right to change technical details from those shown in the illustrations contained in these installation instructions.

These installation instructions also refer to the COMAND and Audio Operating Instructions, the vehicle Owner's Manual and the mobile phone operating instructions. Please keep them handy for reference.

At high outside temperatures, the cradle can become very hot when in operation, as is the case with the vehicle interior itself.

The installation procedure is shown using the Sony Ericsson K770i mobile telephone as an example. Follow the same procedure to install the Sony Ericsson T650i mobile telephone.

3 |

Risk of accident

Please comply with the legal regulations of the country in which you are driving when you use the mobile phone inside the vehicle.

If it is legally permissible to use the mobile phone while driving, only do so when traffic conditions allow for it. You may otherwise become distracted from the traffic, which may lead to an accident in which you or others may be injured.

For safety reasons, while driving, only use the hands-free system to make calls.

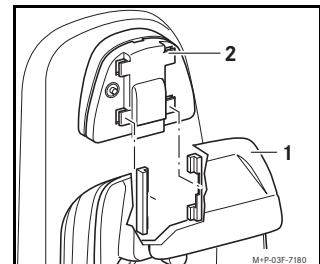
When you are using the mobile phone via the hands-free system, drive with extra caution, close all windows and try to eliminate background noise.

Please pull over or park the car if you do not wish to use the hands-free system to make a call. Do not stop the vehicle or park where it is prohibited to do so.

Place the telephone module into the cradle only while the vehicle is at a standstill. You could otherwise be distracted and cause an accident.

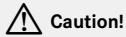
4 |

Fitting the cradle



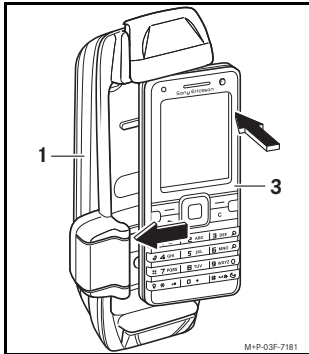
1. Slide the cradle (1) into the bracket (2) until it audibly engages.

**Inserting the mobile phone**



**Caution!**

When inserting the mobile phone in the cradle, do not press on the display. You could otherwise damage your mobile phone.



1. Insert the mobile phone (3) in the cradle (1) as shown.

**Switching to hands-free mode**

When the mobile telephone is in hands-free mode, a Bluetooth® headset cannot be used.

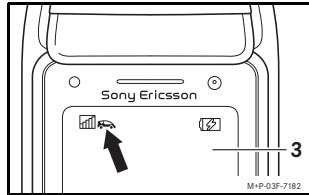
To connect the mobile telephone to the hands-free system of the vehicle, the following settings must be configured on the mobile phone:

1. Go to Menu → Settings → Profiles → In car → More → View and edit.
2. Go to Accessory → New Accessory → Car handsfree.

The message Profile updated: In car appears.

**Note**

In the Settings menu, select Flight mode → Don't show.



A small car symbol (arrow) appears on the mobile phone display (3).

**Transferring the phone book in COMAND or audio system**

Transferring the phone book is not possible while in Flight mode.

Therefore, this mode should be deactivated. (Please refer to the mobile telephone operating instructions.)

Do not remove the mobile phone from the cradle during the telephone book transfer.

**Note**

It is not possible to access the phone book on the SIM card via the vehicle's hands-free system. The telephone entries of the SIM card may have to be copied into the telephone book of the mobile telephone. (Please refer to the mobile telephone operating instructions.)

Editing and creating phone book entries is not possible using COMAND or the audio system.

**Operating instructions**

For information on operating the mobile phone via the multi-function steering wheel and configuring the run-on time, refer to the COMAND or Audio Operating Instructions, or the vehicle Owner's Manual.

The SIM PIN must be entered either on the mobile phone, in COMAND or in the audio system. Combined SIM PIN input is not possible.

If there are too many text messages in the mobile phone's memory, it is possible that no text messages will be displayed by COMAND or the audio system.

Press the **+** or **-** buttons to change the volume during a telephone call.

If the mobile phone uses a pre-paid system, depending on the provider, you might not be able to make use of some of the hands-free system functions.

Activating the number blocking feature is only possible on the mobile phone. (Please refer to the mobile phone operating instructions.)

If the mobile phone is inserted, it cannot be switched off via the vehicle. Because of this, switching to an available twin SIM card is only possible if the mobile phone is switched off manually.

It is recommendable to switch off the mobile phone at least once a months. (Please refer to the mobile phone operating instructions.)

**Speed-dial keys**

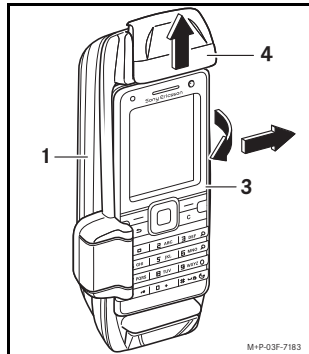
**Only for vehicles with mobile phone fittings with interface (code 386) or Mercedes-Benz mobile telephone (code 388):**

On some vehicle model series, it is possible to access the memory keys 2 to 9 via the buttons **2** to **9** in the COMAND or the audio system. To do this, you must assign the memory keys 2 to 9 according to your preferences. (Please refer to the mobile phone operating instructions.)

**Note**

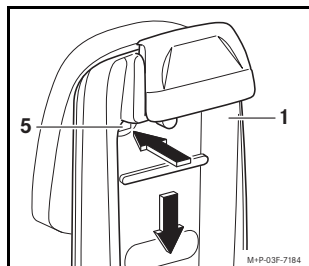
The memory position is not displayed on some types of mobile phone. The corresponding telephone number is displayed by pressing a key between **2** and **9**. If you want to store a different telephone number in memory positions 2 through 9, these should be renamed as needed on the mobile phone.

**Removing the mobile phone**



1. Slide the locking tab (4) upwards and remove the mobile phone (3) from the cradle (1).

**Removing the mobile phone cradle**



1. Press the release button (5), slide the cradle (1) downwards and remove.