



Mercedes-Benz

Accessories

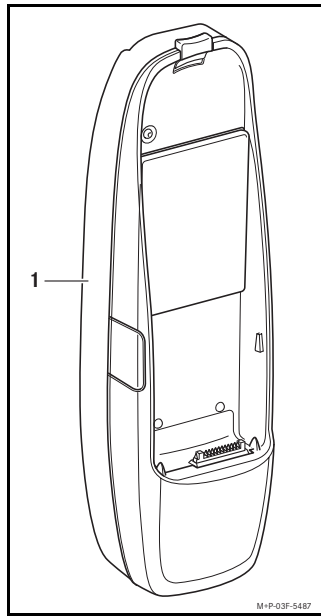
Installation Instructions

Mobile telephone bracket
Nokia 3120

© 2007, Daimler AG

12/05
03F121-05

1



GB

Validity

These installation instructions are valid for vehicles equipped with pre-wiring for a mobile phone, and an interface (code 386) or for vehicles with a Mercedes-Benz mobile phone (code 388) or for vehicles with a Mercedes-Benz multi-functional steering wheel with hands-free telephone feature, used in each case with either a Nokia 3120.

Parts included

- (1) Mobile phone cradle

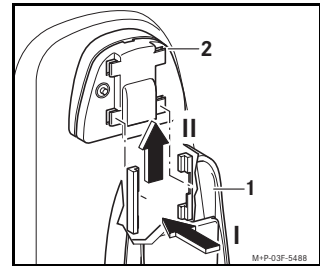
Notes

Please contact a qualified specialist workshop if you encounter difficulties when fitting the mobile phone cradle. Mercedes-Benz recommends that you use a Mercedes-Benz Service Centre for this purpose.

The manufacturer reserves the right to change technical details from those shown in the illustrations contained in these installation instructions.

These installation instructions also refer to the vehicle Owner's Manual. Please keep it handy for reference.

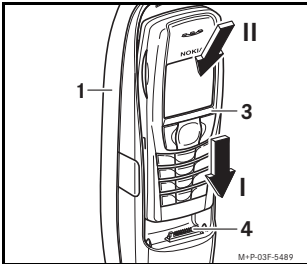
Fitting the mobile phone cradle



1. Press the cradle (1) into the retainers on the existing mounting (2), keep the cradle pressed and slide it upwards until it clicks into place.

2

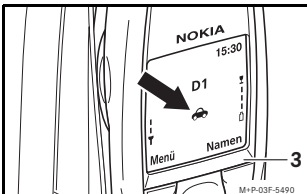
Inserting the mobile phone



1. First of all, slide the bottom of the mobile phone (3) onto the connector (4) and then press the top of the mobile phone downwards at an angle into the cradle (1) until the mobile phone (3) clicks into place.

Hands-free mode display

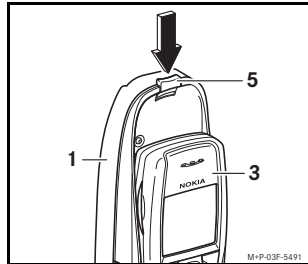
For the hands-free system to operate properly, the mobile phone has to be inserted and switched on, and hands-free mode has to be activated.



A small vehicle (arrowed) appears in the display. If this is not the case, remove the mobile phone (3) (please refer to the section "Removing the mobile phone") and re-insert it.

3

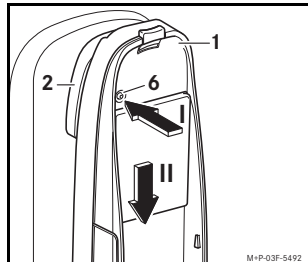
Removing the mobile phone



1. Press the release button (5) and remove the mobile phone (3) from the cradle (1).

Dismantling the mobile phone cradle

1. Remove the mobile phone from the cradle (please refer to the section "Removing the mobile phone").



2. Press the release button (6) and keep it pressed. Slide the cradle (1) downwards and remove it from the existing mounting (2).

4

Operating instructions

1. Please refer to your Mercedes-Benz vehicle Owner's Manual for operating instructions regarding the mobile phone cradle in connection with the factory-installed hands-free system (code 386/388).

2. The following operating instructions (points a, b and c) only refer to the retrofitted accessory solution of the Mercedes-Benz multi-functional steering wheel with hands-free telephone mode.

- General operation of the hands-free system: The vehicle Owner's Manual explains how to operate the hands-free system via the multi-functional steering wheel and how to set the run-on time.
- Displaying complete names or telephone numbers (this function depends on the vehicle model): The "+" button must be pressed to display the full name of the caller. The "-" button must be pressed to display the full telephone number of the caller.
- Adjusting the volume: During a telephone call, the volume can be increased with the "+" button and decreased with the "-" button.