



Mercedes-Benz

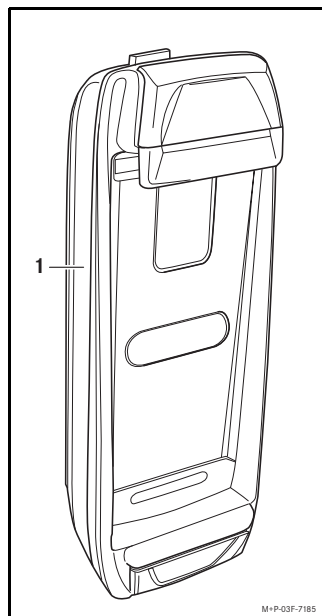
Accessories

Installation Instructions

Mobile telephone cradle
Nokia 6500

© 2008, Daimler AG

11/08
03F073-08



1



Validity

These installation instructions are valid for vehicles equipped with a

- Mobile phone fitting with interface (Code 386) or
- Mercedes-Benz mobile phone (code 388)

- Each in combination with Nokia mobile phone 6500.

Components

- (1) Mobile phone cradle

In the following text, this will be referred to as "cradle".

Notes

Please contact a qualified specialist workshop if you encounter difficulties when fitting the telephone module. Mercedes-Benz recommends that you use a Mercedes-Benz Service Centre for this purpose.

The manufacturer reserves the right to change technical details from those shown in the illustrations contained in these installation instructions.

These installation instructions also refer to the COMAND and Audio Operating Instructions, the vehicle Owner's Manual and the mobile phone operating instructions. Please keep them handy for reference.

At high outside temperatures, the cradle can become very hot when in operation, as is the case with the vehicle interior itself.

Do not open up the cradle and do not make any modifications on the cradle. Otherwise the type approval will be rendered invalid.

2

Contents

Fitting the holder	▷ 4
Inserting the mobile phone	▷ 5
Pairing the mobile phone with the cradle	▷ 6
Connecting the mobile phone to the cradle	▷ 8
• Connecting the mobile phone manually	▷ 9
• Connecting the mobile phone automatically	▷ 9
Automatically disconnecting the Bluetooth® connection between the mobile phone and the cradle	▷ 10
Manually disconnecting the Bluetooth® connection between the mobile phone and the cradle	▷ 10
Switching to hands-free mode	▷ 11
Setting up the vehicle profile	▷ 12
General notes on operation	▷ 13
Speed-dial keys	▷ 14
Removing the mobile phone	▷ 15
Removing the cradle	▷ 15

3



Risk of accident

Please comply with the legal regulations of the country in which you are driving when you are using the telephone inside the vehicle.

If it is legally permissible to use the telephone while driving, only do so when traffic conditions allow for it. You may otherwise become distracted from the traffic, which may lead to an accident in which you or others may be injured.

For safety reasons, only use the hands-free system when making calls while driving.

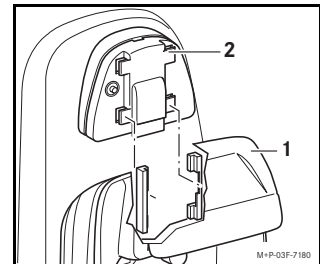
When you are using the mobile phone via the hands-free system, drive with extra caution, close all windows and try to eliminate background noise.

Please pull over or park the car if you do not wish to use the hands-free system to make a call. Do not stop the vehicle or park where it is prohibited to do so.

Place the telephone module into the cradle only while the vehicle is at a standstill. You could otherwise be distracted and cause an accident.

4

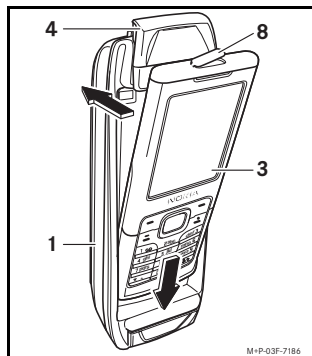
Fitting the holder



1. Slide the cradle (1) onto the contact plate (2) until it audibly engages.

Inserting the mobile phone

It is only possible to use the hands-free system and the telephone functions via the operating system/on-board computer if a Bluetooth® connection is established between the mobile phone and the cradle.



1. Remove the cover (8).
2. Insert the mobile phone (3) into the cradle (1) as shown.

Note

Make sure that the locking tab (4) is correctly engaged on the mobile phone (3), as otherwise there is no connection between the mobile phone and the cradle. If necessary, reinsert the mobile phone.

Note

A maximum of 4 mobile phones may be paired with the cradle. If a fifth mobile phone is paired with the mobile phone cradle, the mobile phone that was paired first is deleted.

Connecting the mobile phone to the cradle

After the pairing, the connection between the mobile phone and the cradle is established automatically. The LED on the cradle lights up continuously.

In order for the hands-free system to function properly, the phone may not be connected with the Bluetooth® interface of COMAND or the Audio System. Please refer to the separate Operating Instructions of COMAND or the Audio System.

Insert the mobile phone in the cradle and turn the ignition key to position 1, 2 or 3. (Please refer to the vehicle Owner's Manual.)

Notes

If the mobile phone cradle and the mobile phone are not connected automatically, the connection can be established manually (see ▷ 9).

The mobile phone battery is charged when the ignition key is in position 1, 2 or 3, provided that the mobile phone is inserted in the cradle.

Not every ring tone can be issued by COMAND or the vehicle's operating system/on-board computer.

While there is a connection between the mobile phone and the cradle, the name of the mobile service provider is displayed in the operating system/on-board computer, as long as there is sufficient reception.

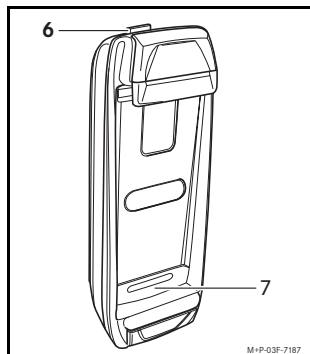
Pairing the mobile phone with the cradle

For pairing, the mobile phone must not be in the cradle, but it must be in the vehicle.

1. Turn the ignition key to position 1, 2 or 3. (Please refer to the vehicle Owner's Manual.)
2. Select Menu → Settings → Connections → Bluetooth → ON on the mobile phone. (Please refer to the mobile phone operating instructions.)

Note: For C-class vehicles, W/S 204

The mobile phone should always be inserted in the cradle for pairing.



3. Press the Bluetooth® button (6) for approximately 2 seconds. The LED (7) flashes rapidly.

The cradle is visible to searching devices for approx. 2 minutes and can be detected by the mobile phone.

4. Select Menu → Settings → Connections → Bluetooth → Search for audio devices on the mobile phone. (Please refer to the mobile phone operating instructions.)

The mobile phone begins searching for the cradle. When the mobile phone finds the cradle, MB N6500Cradle appears in the mobile phone display.

Note

When you receive the request: Make phone visible to all devices? it is recommended to reject the request with No. (Please refer to the mobile phone operating instructions.)

5. Select MB N6500Cradle on the mobile phone.

A passkey prompt appears in the display of the mobile phone.

6. Enter the number 62872 (passkey) on the mobile phone and confirm with ok.

7. Confirm the request Allow automatic establishing of a connection via the device? with Yes in order to make an automatic connection between the mobile phone and the cradle possible.

Note

The selected device name of the cradle must not already be used in the memory of the mobile phone, as otherwise the mobile phone issues the message Bluetooth connection failed. The cradle which is already in the memory of the mobile phone must be renamed or deleted from the memory. (Please refer to the mobile phone operating instructions.)

As soon as the passkey has been entered and accepted, the mobile phone confirms the connection setup.

8. The mobile phone is now ready to be used with the hands-free system.

Manually connecting the mobile phone with the mobile phone cradle

Push the Bluetooth® button on the cradle.

Or:

For S-Class vehicles, W/V 221, and CL-Class vehicles, C 216:

- Select Tel → Tel → Telephone using the COMAND controller. (Please refer to the vehicle Owner's Manual.)

On some model series

- Press the TEL button. (Refer to the COMAND or Audio Operating Instructions.)

Note

Before being manually connected, the mobile phone must be paired with the cradle (see ▷ 6).

Automatically connecting the mobile phone with the mobile phone cradle

1. Select Menu → Settings → Connections → Bluetooth → Paired devices on the mobile phone. (Please refer to the mobile phone operating instructions.)

2. Select MB N6500Cradle on the mobile phone.

3. Select Options → Settings → Auth. Conn. w/o Conf. on the mobile phone and confirm with Yes. (Please refer to the mobile phone operating instructions.)

Note

Within a range of several meters to the cradle, the Bluetooth® connection remains active and any incoming calls are taken on the hands-free system. Therefore, the connection between the mobile phone and the cradle should be disconnected manually when you leave the vehicle (see ▷ 10).

Automatically disconnecting the Bluetooth® connection between the mobile phone and the cradle

The connection between the mobile phone and the cradle is automatically disconnected beyond the reception range of several meters.

Manually disconnecting the Bluetooth® connection between the mobile phone and the cradle

The Bluetooth® connection can be disconnected manually as follows:

For S-Class vehicles, W/V 221, and CL-Class vehicles, C 216:

- Select Tel → Tel → Telephone off using the COMAND controller. (Please refer to the vehicle Owner's Manual.)

On the mobile phone:

- Please refer to the mobile phone operating instructions.

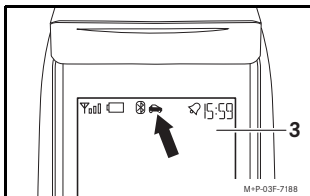
Notes

During an active call, the connection between the mobile phone and the cradle can only be disconnected on the mobile phone. (Please refer to the mobile phone operating instructions.)

After the Bluetooth® connection has been manually disconnected, an active call can be connected to the vehicle by pressing the Bluetooth® button on the cradle.

Switching to hands-free mode

For the hands-free system to operate properly, the mobile phone has to be inserted and switched on, and hands-free mode has to be activated.



A small vehicle (arrow) appears in the display. If the small vehicle does not appear: remove and re-insert the mobile phone (3).

Note

If you remove the mobile phone from the cradle during an active call, the call will be continued via the hands-free system.

Setting up the vehicle profile

After pairing and setting up a connection between the mobile phone and cradle for the first time, the mobile phone automatically creates its own profile for the hands-free mode. The mobile phone switches automatically to this mode when inserted in the cradle. (Please refer to the mobile phone operating instructions.)

The ring tone and ring tone volume can be adapted to the vehicle in the hands-free mode profile.

Note

If you have not set **Current** profile in the profile for the hands-free mode and have enabled **Silent** as the normal profile, no ringtone sounds even if the mobile phone is inserted in the cradle.

If you have activated the **Flight** profile, no connection will be established between the cradle and the inserted mobile phone. (Please refer to the mobile phone operating instructions.)

1. Editing a profile: On the mobile phone in Menu → Settings → Accessories → Handsfree → Default profile → set, for example, My style 1.
2. Setting the ring tone volume: Set the ring tone volume on the mobile phone in Menu → Settings → Profile → My profile 1 → Change → Ring tone volume.

General notes on operation

On the Nokia 6500 mobile phone, open the menu and set Settings → Phone → Network mode → GSM.

On the mobile phone, the **Flight** request function must not be activated, otherwise the connection between the cradle and the inserted mobile phone will not be established. (Please refer to the mobile phone operating instructions.)

If a call is made directly from the mobile phone while there is an active connection between the cradle and the mobile phone, the telephone number will not be transmitted or displayed.

For information on operating the mobile phone via the multi-function steering wheel, see the **COMAND** and/or **Audio** Operating instructions and/or the vehicle Owner's Manual.

Press the **+** or **-** buttons to adjust the volume during a telephone call.

The setting for transmitting and displaying the telephone number switches to **Set by network** when the mobile phone is placed in the cradle. (Please refer to the mobile phone operating instructions.) The settings for the transmission of the telephone number in hands-free mode must be made by the network provider or the service provider. To make these settings, please contact the network provider or the service provider.

There should not be too many text messages (SMS) stored in the inbox folder of the mobile phone. (Please refer to the mobile phone operating instructions.)

For further information about displaying text messages in **COMAND** or the audio system, please consult your Mercedes-Benz Service Centre.

It is recommendable to switch off the mobile phone at least once a month. (Please refer to the mobile phone operating instructions.)

Speed-dial keys

Speed-dial key for mailbox

The **1** key can be programmed as a speed-dial key for your mailbox.

To program the speed-dial key:

1. Press button **1** on the mobile phone for approximately 3 seconds. In the mobile phone display the message **Save voice mailbox number first** appears, then a request for you to enter the telephone number of the mailbox.
2. Enter the voice mailbox number on the mobile phone and confirm.

Calling up a speed-dial key

Press the **1** button on **COMAND** and/or the **Audio** system for approx. 3 seconds.

Other speed-dial keys

On some vehicle model series it is possible to access the SIM card memory keys 2 to 9 via the buttons **2** to **9** on **COMAND** and/or the **Audio** system.

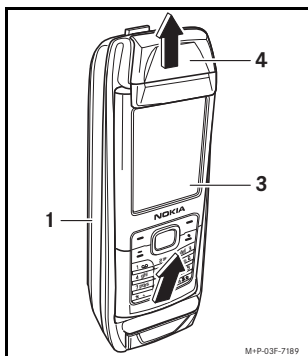
Note

You must save numbers on memory keys 2 to 9 on the SIM card according to your preference. On Nokia mobile phone 6500, the SIM card memory keys are not displayed. Press buttons **2** to **9** on the operating system in order to show the corresponding number. If, for example, a telephone number is saved on speed-dial key **3**, then this number must be selected on the operating system keypad and may, if necessary, be renamed on the mobile phone. (Please refer to the mobile phone operating instructions.)

Calling up a speed-dial key

Press and hold the corresponding button on **COMAND** or the **Audio** system for approx. 3 seconds.

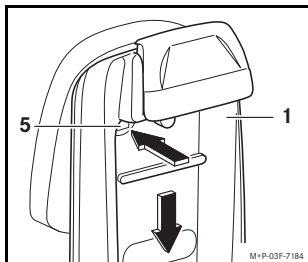
Removing the mobile phone



1. Slide the locking tab (4) upwards and remove the mobile phone (3) from the cradle (1).

Detaching the mobile phone cradle

1. Remove the mobile phone from the cradle (see above).



2. Press the release button (5), slide the cradle (1) downwards and remove.