



Mercedes-Benz

Accessories

Installation Instructions

Mobile phone cradle



Validity

These installation instructions are valid for vehicles equipped with

- Convenience telephony in the armrest with universal interface for various cradles (code 386)

in conjunction with a mobile phone approved by Mercedes-Benz.

Please ask your Mercedes-Benz Service Centre regarding the model validity of each mobile phone cradle and vehicle type.

Parts included

- Mobile phone cradle

In the following text, this will be referred to as "cradle".

General notes

If you encounter difficulties during the installation, please contact a qualified specialist workshop. Mercedes-Benz recommends that you use a Mercedes-Benz Service Centre for this purpose.

The manufacturer reserves the right to change technical details from those shown in the illustrations contained in these installation instructions.

At high outdoor temperatures, the vehicle interior, and thus also the cradle, can get very hot.



Risk of accident

You must observe the laws and regulations of the country in which you are driving regarding using a mobile phone in the vehicle.

If it is permitted to use a mobile phone while the vehicle is in motion, you must only operate it when road and traffic conditions permit. Otherwise, you could be distracted from the road and traffic situation and cause an accident in which you and/or others could be injured.

Taking account of the traffic situation, safely pull over and stop your vehicle to make a telephone call.



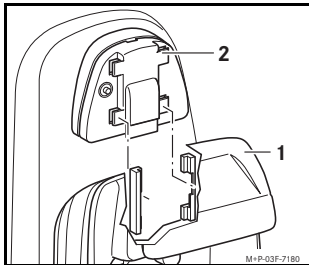
Risk of accident

Fit the mobile phone cradle only while the vehicle is at a standstill. Otherwise, you could be distracted from the road and traffic situation and cause an accident in which you and/or others could be injured.

© 2008, Daimler AG

11/08  
03F078-08

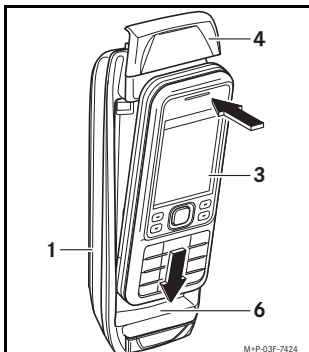
Fitting the cradle



Slide the cradle (1) into the bracket (2) until it audibly engages.

Inserting the mobile phone

Place the mobile phone in the mobile phone cradle to charge the batteries and to establish a connection to the external aerial.



Place the mobile phone (3) on the contact surface (6) and press lightly above the display to engage it into place in the cradle (1).

Note

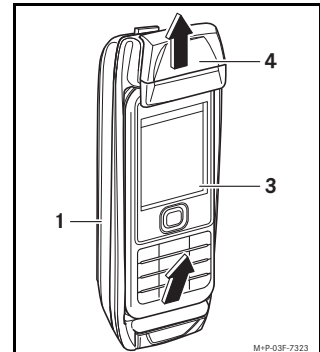
Make sure that the mobile phone (3) is correctly seated on the contact surface (6) and is locked into place in the cradle (1), as otherwise there will be no connection between the mobile phone and cradle. The locking tab (4) must be closed. If necessary, reinsert the mobile phone.

Operating instructions

In order to use the hands-free system, the mobile phone in the cradle must be connected with the COMAND or the audio system telephone system via Bluetooth®. You can obtain detailed information at www.mercedes-benz-mobile.com or from your Mercedes-Benz Service Centre.

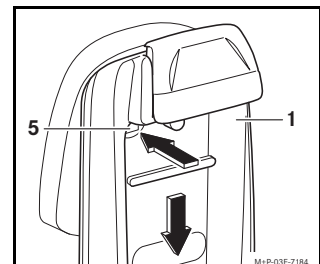
The mobile phone battery gets charged when the key is in position 1, 2 or 3 in the ignition lock.

Removing the mobile phone



Slide the locking tab (4) upwards and remove the mobile phone (3) from the cradle (1) as shown in the illustration.

Removing the cradle



Press the release button (5), slide the cradle (1) downwards and remove.