



Validity

These installation instructions are valid for vehicles equipped with

- mobile phone fitting with interface (code 386) or
- Mercedes-Benz mobile phone (code 388)

Each in combination with COMAND or the Audio 20 or Audio 50 audio systems.

Function overview

- Hands-free system
- Connection to the vehicle exterior aerial for better reception
- Can be used as SIM-card telephone
- Access to the phonebook stored on the mobile phone
- Receiving text messages (SMS)
- Charging the mobile phone

General notes

If you encounter difficulties during the installation, please contact a qualified specialist workshop. Mercedes-Benz recommends that you use a Mercedes-Benz Service Centre for this purpose.

The manufacturer reserves the right to change technical details from those shown in the illustrations contained in these installation instructions.

At high ambient temperatures, the cradle can become very hot when in operation, as is the case with the vehicle interior itself.

Do not open the cradle. Do not make any modifications to the cradle. Otherwise the certificate of approval is invalidated.

Mobile phone manufacturers constantly update their phones to the state of the art. As a result, the operating tips in these installation instructions may differ from those of your mobile phone. You cannot, therefore, base any claims on the data and descriptions contained in these installation instructions. Please refer to your mobile phone's operating instructions for additional information.



Risk of accident

Please comply with the legal regulations of the country in which you are driving when you use the mobile phone inside the vehicle.

If it is legally permissible to use the mobile phone while driving, only do so when traffic conditions allow for it. You may otherwise become distracted from the traffic, which may lead to an accident in which you or others may be injured.

For safety reasons, while driving, only use the hands-free system to make calls.

When you are using the mobile phone via the hands-free system, drive with extra caution, close all windows and try to eliminate background noise.

Please pull over or park the vehicle if you do not wish to use the hands-free system to make a call. Do not stop the vehicle or park where it is prohibited to do so.

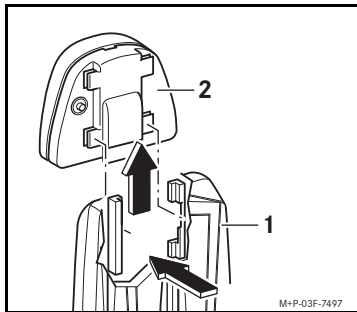
Place the telephone module into the cradle only while the vehicle is at a standstill. You could otherwise be distracted and cause an accident.

Presets on the mobile phone

The mobile phone must be switched on and the Bluetooth® function and the "Visible to others" setting must be enabled in the Bluetooth® settings menu. The Bluetooth® SIM access profile of the mobile phone must be activated. (Please refer to the mobile phone operating instructions.) You must know the Bluetooth® name of the mobile phone.

Certain settings must be made on the mobile phone depending on the mobile phone type. For more details, see the overview entitled "Operating Tips" on the back side as well as in the mobile phone operating instructions.

Fitting the telephone module



Press the telephone module (1) into the bracket (2) until it audibly engages into place.

Authorising the mobile phone on the telephone module

The mobile phone must be authorised on the telephone module before they can be used together. After authorisation, the two devices within the vehicle are automatically connected with each other whenever they are switched on.

The authorisation of the mobile phone on the telephone module is vehicle-specific. Please refer to the overview on the back side for the procedure required for your vehicle.

A maximum of 4 mobile phones may be authorised on the telephone module. If a fifth mobile phone is authorised, the first is deleted from the memory of the telephone module. Parallel operation of multiple mobile phones on the telephone module is not possible.

Connecting the mobile phone with the telephone module

Establishing a Bluetooth® connection between a mobile phone and the telephone module is only possible when

- there is no active Bluetooth® connection between the telephone module and another mobile phone or between the mobile phone and another device, and

- no SIM card is inserted in the telephone module.

While there is an active Bluetooth® connection between a mobile phone and the telephone module, the telephone functions can only be used via the telephone module. The telephone functions are temporarily inactive on the connected mobile phone. The signal strength of the mobile phone network is shown in the multi-function display or in the COMAND or audio system display.

Automatic connection

If COMAND or the audio system is switched on, the telephone module will always automatically search for the last mobile phone that was connected to it.

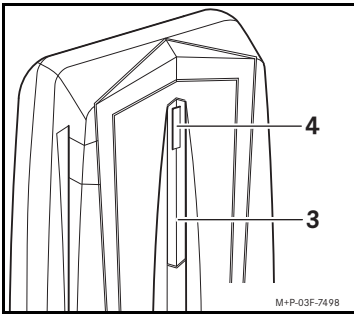
The PIN of the SIM card that was entered during the authorisation is stored by the telephone module. Re-entering the PIN when establishing a Bluetooth® connection is only necessary if the SIM PIN has been changed.

Manual connection

Establishing a Bluetooth® connection manually between the mobile phone and the telephone module is vehicle-specific. Please refer to the overview for your vehicle.

Connecting a different authorised mobile phone

- Disconnect any existing Bluetooth® connection between the telephone module and a mobile phone.

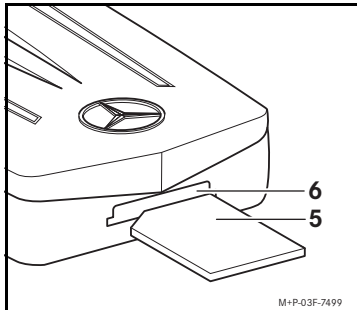


- Briefly press button (3) on the telephone module. The LED (4) flashes slowly and a message appears in the multi-function display or in the COMAND or audio system display indicating that the telephone is being activated. The telephone module searches for and connects the previously authorised mobile phone.

Telephone module in SIM card mode

If your mobile phone is not compatible with the telephone module¹, the telephone module can also optionally be used as SIM card telephone.

Inserting the SIM card



Insert the SIM card (5) into the SIM card slot (6) as shown until it engages.

After inserting the SIM card into the telephone module, a Bluetooth® connection between the telephone module and a mobile telephone is no longer possible. An already existing Bluetooth® connection is disconnected when you insert the SIM card.

Removing the SIM card

Push in the SIM card and release it. The SIM card is partially ejected and can be removed.

Downloading the phonebook

To be able to use the phonebook stored on the mobile phone on COMAND or the audio system, it must be downloaded via the telephone module. The download occurs either after a Bluetooth® connection has been established automatically or by manual synchronisation with an active Bluetooth® connection. The data transfer can take up to 10 minutes depending on the number of entries in the phonebook and is indicated by a symbol on the mobile phone display.

If the automatic transfer of the phonebook does not occur: select "Telephone" → "Import external data" on COMAND or the audio system using the controller.

Synchronising the phonebook manually

- Make sure that there is network reception.
- Enter 0000 on COMAND or the audio system and confirm.

The phonebook is downloaded to COMAND or the audio system. Depending on the vehicle, the message "Please wait" or "Activating telephone" appears in COMAND or the audio system display.

- If the phonebook transfer does not occur: select "Telephone" → "Import external data" on COMAND or the audio system using the controller.

Speed-dial keys

Speed-dial key for mailbox

The button on COMAND or the audio system can be programmed as the speed-dial key for your mailbox.

- Create the following entry in the phonebook of the mobile phone:

Name: MAILBOX.

Telephone number: mailbox number

- Download the phonebook of the mobile phone to COMAND or the audio system. (Please refer to "Transferring the phonebook".)

Other speed-dial keys

The keys through on COMAND or the audio system can be used to access memory positions 2 through 9 of the stored phonebook (speed-dial function). The memory positions 2 through 9 in the phonebook of the mobile phone or SIM card must be programmed according to your wishes. (Please refer to the mobile phone operating instructions.)

Calling up speed-dial keys

Press and hold the desired button (to) on COMAND or the audio system for approx. 3 seconds.

Sending and receiving text messages (SMS)

Text messages can be sent and received when there is an active Bluetooth® connection between the telephone module and a mobile phone. Please refer to the COMAND or audio system operating instructions for the procedure required for your vehicle.

Setting the ring tone of the telephone module

Incoming calls are signalled acoustically on the telephone module. There are ten ring tones to choose from:

- Connect the mobile phone with the telephone module or insert the SIM card into the telephone module. Please refer to "Connecting the mobile phone with the telephone module" or "Telephone module in SIM card mode".
- Make sure that there is network reception.
- Enter 0005 on COMAND and press the button.
- Select a ring tone for the telephone module via the buttons to on COMAND or the audio system.
- Press the button to confirm the selected ring tone.

Disconnecting the mobile phone from the telephone module

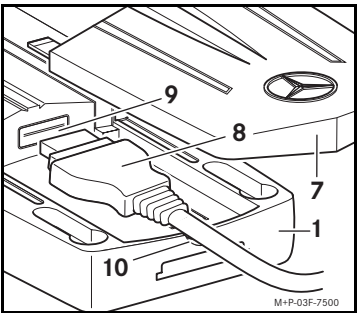
Automatic disconnection

The Bluetooth® connection between the mobile phone and the telephone module is automatically disconnected beyond the reception range of approx. 10 meters (30 ft).

Manual disconnection

The manual disconnection of a Bluetooth® connection between the mobile phone and the telephone module is vehicle-specific. Please refer to the overview on the back side for the procedure required for your vehicle.

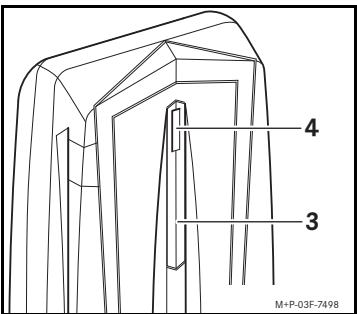
Charging the mobile phone



- Slide the cover (7) on the telephone module (1) downwards and remove.
- Connect the mobile phone to the USB socket (9) using the USB data cable (8).
- Insert the USB data cable (8) in the cable duct (10), position the cover (7) on the telephone module (1) and slide it upwards until it engages into place.

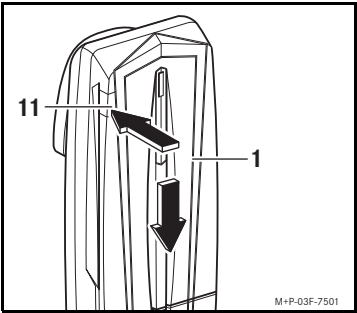
Resetting the telephone module

The telephone module can be reset to the factory settings. Both the information stored for authorising the mobile phone as well as the stored phonebook will be deleted in the process.



Press and hold button (3) on the telephone module for approx. 7 seconds. The LED (4) flashes in an irregular sequence.

Removing the telephone module



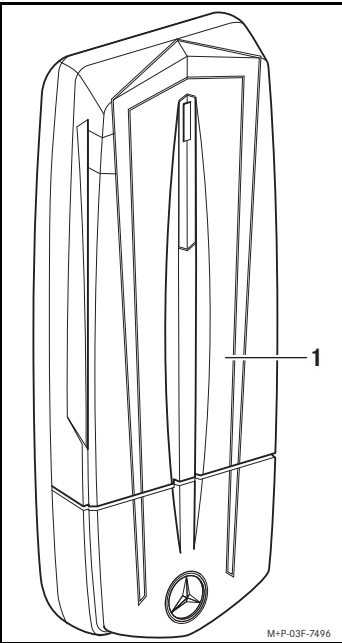
Press the release button (11), slide the telephone module (1) downwards and remove.



Mercedes-Benz

Installation Instructions

Mercedes-Benz telephone module with Bluetooth® SIM access profile



Press and hold button (3) on the telephone module for approx. 7 seconds. The LED (4) flashes in an irregular sequence.

Parts included

- (1) Mercedes-Benz telephone module with Bluetooth® SIM access profile

In the following text, this will be referred to as "telephone module".

Equipment required

To charge the mobile phone via the telephone module, a USB data cable for the mobile phone used is required. This USB data cable is included in the scope of delivery of your mobile phone or is available at your mobile phone dealer.

These installation instructions also refer to the COMAND and audio system operating instructions, the vehicle Owner's Manual and the mobile phone operating instructions. Please keep it handy for reference.

Additional notes on use

Connecting the mobile phone with the telephone module

When the vehicle is unlocked, a Bluetooth® connection can be established automatically between an authorised mobile phone and the telephone module. Making calls via the hands-free system is not possible unless COMAND or the audio system is switched on.

It is not possible to make any changes to the SIM card settings (e.g. call forwarding, call waiting, text message parameters, etc.) on the telephone module. Changes to these settings must be made directly on the mobile phone when the SIM card is inserted. Please refer to the mobile phone operating instructions.

Depending on the type of mobile phone you are using, a display appears on the mobile phone's screen, indicating SIM card access via COMAND or the audio system. In this mode, the telephone may only be used via the hands-free system.

Downloading the phonebook

In each case, the last phonebook that was transferred is stored in the telephone module. If the phonebook is transferred anew, the phonebook that stored in the telephone module up to now is deleted.

Without transferring the phonebook, only the phonebook of the SIM card of the connected mobile phone can be accessed for an active Bluetooth® connection. Phonebook entries of the SIM card can be read and deleted.

The phonebook transfer occurs in alphabetical order. With large phonebooks, the phonebook entries last stored may possibly not be transferred.

Synchronising the phonebook manually

Synchronising the phonebook is not possible if a password query for the phonebook transfer is activated.

Up to 1500 stored phonebook entries, each with up to three telephone numbers, can be transferred to COMAND or the audio system from the connected mobile phone.

Phonebook entries are listed by last name, independent of the mobile phone settings.

Speed-dial keys

The memory positions are not displayed on some mobile phones. Press buttons to on COMAND or the audio system to display the corresponding telephone number. If you want to store different telephone numbers in memory positions 2 through 9, these must be renamed on the mobile phone. (Please refer to the mobile phone operating instructions.)

Sending and receiving text messages (SMS)

Incoming text messages are stored on the mobile phone SIM card. For more information on how to access saved text messages on Nokia mobile phones, please refer to the overview "Operating tips" on the back side.

Deleting the call list

Enter 0002 on COMAND or the audio system and press the button.

The call list stored in the telephone module is reset and is no longer displayed with the next transferring of the phonebook.

© 2009

Mercedes-Benz Accessories GmbH

Nachdruck, Vervielfältigung oder Übersetzung, auch auszugsweise, nicht erlaubt.

Mercedes-Benz Accessories GmbH,

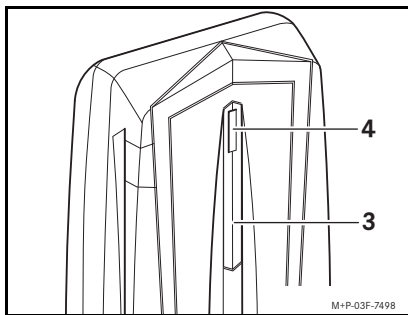
Stuttgart · Ein Unternehmen der

Daimler AG

07/09

03F050-09

1. Information on this is available at your Mercedes-Benz Service Centre.



CL-Class, Model series 216
(until date of manufacture 06/09)
S-Class, Model series 221
(until date of manufacture 06/09)

	from date of manufacture:
A-Class, Model series 169	06/08
B-Class, Model series 245	06/08
C-Class, Model series 204	
CL-Class, Model series 216	06/09
CLS-Class, Model series 219	04/08
E-Class, Model series 207	
E-Class, Model series 211	06/08
E-Class, Model series 212	
GL-Class, Model series 164	07/08
M-Class, Model series 164	07/08
R-Class, Model series 251	07/08
S-Class, Model series 221	06/09
SL-Class, Model series 230	04/08
SLK-Class, Model series 171	04/08

All vehicle model series with COMAND or Audio 50, with the exception of:

CL-Class, Model series 216
(until date of manufacture 06/09)
S-Class, Model series 221
(until date of manufacture 06/09)

Vehicles with Audio 20:

CLK-Class, Model series 209
E-Class, Model series 211
(until date of manufacture 06/08)
M-Class, Model series 164
(until date of manufacture 07/08)
R-Class, Model series 251
(until date of manufacture 07/08)
SLK-Class, Model series 171
(until date of manufacture 04/08)

All model series with Audio 20, with the exception of:

CLK-Class, Model series 209
E-Class, Model series 211
(until date of manufacture 06/08)
M-Class, Model series 164
(until date of manufacture 07/08)
R-Class, Model series 251
(until date of manufacture 07/08)
SLK-Class, Model series 171
(until date of manufacture 04/08)

Authorising the mobile phone on the telephone module

- Switch on COMAND. (Please refer to the separate operating instructions.)
- Select "Telephone" using the COMAND controller and confirm. A message appears in the COMAND display that no mobile phone is connected.
- Press and hold button (3) on the telephone module for approx. 3 seconds. The LED (4) flashes rapidly. The telephone module searches for available mobile phones in the reception range of approx. 10 meters (30 ft).
- With the COMAND controller, select "Call lists" → "Dialed" and confirm. The Bluetooth® names of the mobile phones in the reception range appear in the COMAND display.
- Select the mobile phone to be authorised using the COMAND controller and confirm. A 16-digit PIN number appears in the COMAND display.
- When requested to do so, enter the displayed PIN number on the mobile phone within 20 seconds and confirm. After authorisation has been successfully completed (indicated by an ascending melody) "Activating telephone, please wait" appears in the COMAND display.
- Depending on the type of mobile phone you are using, the connection query of the telephone module must be confirmed on the mobile phone. For connection with the telephone module, the mobile phone must be set to "Automatic" or "Authorised yes". (Please refer to the mobile phone operating instructions.)
- Enter the PIN number of the SIM card on COMAND and confirm.

- Switch on COMAND or the audio system. (Please refer to the separate operating instructions.)
- Call up the telephone menu. (Please refer to the separate operating instructions.)
- Select "Telephone list" → "Convenience phone" and confirm. The message "Telephone not inserted" appears in the multi-function display or COMAND display.
- Press and hold button (3) on the telephone module for approx. 3 seconds. The LED (4) flashes rapidly. The telephone module searches for available mobile phones in the reception range of approx. 10 meters (30 ft).
- Select "SMS" using the controller and confirm. The Bluetooth® names of the mobile phones within the reception range appear in the multi-function display or the COMAND display.
Note: The Bluetooth® PIN of the mobile phone can be found in the default settings of the text message (SMS) menu. To display the Bluetooth® names, select "Options" → "Display text" using the controller.
- Using the controller, select the text message of the mobile phone to be authorised and open. A 16-digit PIN appears in the multi-function display or COMAND display.
- Choose the displayed PIN using the controller and select "Call sender" and confirm.
- When requested to do so, enter the displayed PIN number on the mobile phone within 20 seconds and confirm. After authorisation has been successfully completed (indicated by an ascending melody), "Activating telephone" appears in the multi-function display or COMAND display.
- Depending on the type of mobile phone you are using, the connection query of the telephone module must be confirmed on the mobile phone. For connection with the telephone module, the mobile phone must be set to "Automatic" or "Authorised yes". (Please refer to the mobile phone operating instructions.)
- Enter the PIN number of the SIM card on COMAND or the audio system and confirm.

- Switch on COMAND or the audio system. (Please refer to the separate operating instructions.)
- Press the **TEL** button on COMAND or the audio system. A message appears in COMAND or the audio system display indicating that no mobile phone is connected.
- Press and hold button (3) on the telephone module for approx. 3 seconds. The LED (4) flashes rapidly. The telephone module searches for available mobile phones in the reception range of approx. 10 meters (30 ft).
- Select "Redial" → "Dialed" on COMAND or the audio system and confirm. The Bluetooth® names of the mobile phones within the reception range appear in the COMAND or audio system display.
- Select the mobile phone to be authorised using the buttons **▲** and **▼** and confirm. A 16-digit PIN number appears in the COMAND or audio system display.
- When requested to do so, enter the displayed PIN number on the mobile phone within 20 seconds and confirm. After authorisation has been successfully completed (indicated by an ascending melody), the message "Please insert telephone" appears in COMAND or the audio system display, followed by "Please wait".
- Depending on the type of mobile phone you are using, the connection query of the telephone module must be confirmed on the mobile phone. For connection with the telephone module, the mobile phone must be set to "Automatic" or "Authorised yes". (Please refer to the mobile phone operating instructions.)
- Enter the PIN number of the SIM card on COMAND or the audio system and confirm.

- Switch on the audio system. (Please refer to the separate operating instructions.)
- Press the **TEL** button on the audio system. The message "NO PHONE" appears in the multi-function display.
- Press and hold button (3) on the telephone module for approx. 3 seconds. The LED (4) flashes rapidly. The telephone module searches for available mobile phones in the reception range of approx. 10 meters (30 ft).
- Press the **TEL** button on the multi-function steering wheel. The Bluetooth® names of the mobile phones within the reception range appear in the multi-function display.
- Once the Bluetooth® name appears, press the NUM function key on the audio system. A 16-digit PIN number appears in the multi-function display.
- Please write down the 16-digit PIN number displayed.
Note: Only 12 digits can be displayed in the multi-function display. The last digits must therefore be cleared using the **C** button on the audio system in order to display the first digits.
- Press the **TEL** button on the multi-function steering wheel. The Bluetooth® name of the mobile phone to be authorised appears again on the multi-function display.
- Press the **TEL** button on the multi-function steering wheel.
- When requested to do so, enter the PIN number you have written down on the mobile phone within 20 seconds and confirm. After successful authorisation (indicated by an ascending melody), "WAIT . . ." appears in the multi-function display.
- Depending on the type of mobile phone you are using, the connection query of the telephone module must be confirmed on the mobile phone. For connection with the telephone module, the mobile phone must be set to "Automatic" or "Authorised yes". (Please refer to the mobile phone operating instructions.)
- Enter the PIN number of the SIM card on the audio system and confirm.

- Switch on the audio system. (Please refer to the separate operating instructions.)
- Press the **TEL** or **TEL** button on the multi-function steering wheel. A message appears in the multi-function display that no mobile phone is connected.
- Press and hold button (3) on the telephone module for approx. 3 seconds. The LED (4) flashes rapidly. The telephone module searches for available mobile phones in the reception range of approx. 10 meters (30 ft).
- Press the **TEL** button on the multi-function steering wheel. The Bluetooth® names of the mobile phones within the reception range appear in the multi-function display.
- Select the mobile phone to be authorised using the buttons **▲** or **▼** and confirm. A 16-digit PIN number appears in the multi-function display.
- When requested to do so, enter the displayed PIN number on the mobile phone within 20 seconds and confirm. After successful authorisation (indicated by an ascending melody), "WAIT . . ." appears in the multi-function display.
- Depending on the type of mobile phone you are using, the connection query of the telephone module must be confirmed on the mobile phone. For connection with the telephone module, the mobile phone must be set to "Automatic" or "Authorised yes". (Please refer to the mobile phone operating instructions.)
- Enter the PIN number of the SIM card on the audio system and confirm.

Manual disconnection

Using the COMAND controller, select "Telephone" → "Telephone off", or disconnect the Bluetooth® connection on the mobile phone. (Please refer to the mobile phone operating instructions.)

- Switch off Bluetooth® connection from mobile phone. (Please refer to the separate operating instructions.)
- Or in model series 216 and 221:
- Using the COMAND controller, select "Telephone" → "Telephone off".

Am COMAND bzw. Audio-System die Taste **TEL** für ca. 3 Sekunden drücken oder die Bluetooth®-Verbindung am Mobiltelefon trennen, siehe Betriebsanleitung Mobiltelefon.

On COMAND or the audio system, press the button **TEL** for approx. 3 seconds or disconnect the Bluetooth® connection on the mobile phone. (Please refer to the mobile phone operating instructions.)

On the audio system, press the button **TEL** for approx. 3 seconds or disconnect the Bluetooth® connection on the mobile phone. (Please refer to the mobile phone operating instructions.)

Manual connections

Using the COMAND controller, select "Telephone" → "Telephone on" and confirm.

- Briefly press button (3) on the telephone module.
- Or in model series 216 and 221:
- Using the COMAND controller, select "Telephone" → "Telephone on" and confirm selection.

Am COMAND bzw. Audio-System die Taste **TEL** drücken.

Press the **TEL** button on COMAND or the audio system.

Press the **TEL** button on the audio system.

OPERATING TIPS ²	Nokia	Blackberry	Windows mobile devices (HTC)
Settings before authorisation	<p>Activating Bluetooth® on the mobile phone: In the "Bluetooth" menu, select → "Bluetooth: On".</p> <p>Activating the mobile phone visibility: In the "Bluetooth" → menu, select "My phone's visibility: Show to all."</p> <p>Activating external SIM mode: In the "Bluetooth" menu, select → "Remote SIM mode: On".</p>	<p>Activating Bluetooth® on the mobile phone: In the "Manage connections" menu, select → "Bluetooth On".</p> <p>Activating the mobile phone visibility: In the "Options" → menu, select "Bluetooth" → "Options" → "Discoverable: Yes".</p> <p>Activating external SIM mode: 1. In the "Options" → menu, select "Bluetooth" → "Option" → "Services" → "SIM Access Profile". 2. In the "Options" →, menu, select "Bluetooth" → "Paired Devices" → "Add Device". 3. Select "Listen".</p>	<p>Activating Bluetooth® on the mobile phone: "Start" → "Settings" → "Connections" → "Bluetooth" → "Mode" → "Select Turn on Bluetooth" and confirm with "OK".</p> <p>Activating the mobile phone visibility: "Start" → "Settings" → "Connections" → "Bluetooth" → "Mode" → "Make this device visible to other devices" and confirm with "OK".</p> <p>Activating external SIM mode: "Start" → "Settings" → "Connections" → "Bluetooth" → "SIM Access" → "Activate Remote SIM Access" and confirm with "OK".</p>
Settings after authorisation	<p>Authorising telephone module for automatic reconnection: 1. Open the "Paired devices". 2. Select "MB Telephone". 3. Select "Options" → "Authorised". 4. "Connections will take place automatically without confirmation. Continue?" Confirm with "Yes".</p>	<p>Authorising telephone module for automatic reconnection: 1. Open menu "Options" → menu "Bluetooth" → "Paired devices". 2. Select "MB Telephone". 3. "Device Properties" → select "Trusted: Yes" and save the change.</p>	<p>Authorising telephone module for automatic reconnection: No setting possible.</p>
Notes on transferring the phonebook	<p>If the phone book is not downloaded automatically, manual synchronisation can be selected.</p> <p>With Nokia series 40 mobile phones, the respective standard number of the phonebook entry is transferred. For Nokia mobile phones with the Symbian operating system, the phonebook of the SIM card can no longer be accessed after transferring the phonebook.</p>	<p>The phonebook transfer occurs automatically.</p>	<p>The phonebook transfer occurs automatically or after confirmation of the mobile phone.</p>

2. The function overview of compatible mobile phones is available at your Mercedes-Benz Service Centre.