

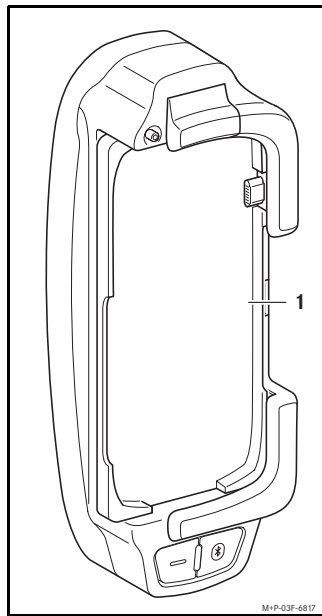


Mercedes-Benz

Accessories

Installation Instructions

Mobile telephone cradle  
Motorola SLVR L7



M+P-03F-6817



Validity

These installation instructions are valid for vehicles equipped with the following:

- mobile phone fitting with interface (code 386) or
- Mercedes-Benz mobile phone (code 388) or
- Mercedes-Benz hands-free system for the multi-function steering wheel

Each in combination with a Motorola SLVR L7 mobile phone.

These installation instructions are not valid for the following vehicles:

- A-Class, model series 169
- B-Class, model series 245
- C-Class, model series 203
- CLK-Class, model series 209
- SLK-Class, model series 17 1, from date of manufacture 12/2006 onwards

Parts included

- (1) Mobile phone cradle

Notes

Please contact a qualified specialist workshop if you encounter difficulties when fitting the mobile phone cradle.

Mercedes-Benz recommends that you use a Mercedes-Benz Service Centre for this purpose.

The manufacturer reserves the right to change technical details from those shown in the illustrations contained in these installation instructions.

These installation instructions also refer to the COMAND and/or the vehicle Owner's Manual and the mobile phone operating instructions. Please keep them handy for reference.

At high outside temperatures, the cradle can become very hot when in operation, as is the case with the vehicle interior itself.

© 2007, Daimler AG

02/07  
03F006-07

Contents

Fitting the mobile phone cradle ▷ 4

Inserting the mobile phone ▷ 5

Pairing the mobile phone with the cradle ▷ 7

Connecting the mobile phone to the cradle ▷ 9

Manually connecting the mobile phone with the mobile phone cradle ▷ 11

Automatically disconnecting the Bluetooth® connection between the mobile phone and the mobile phone cradle ▷ 12

Manually disconnecting the Bluetooth® connection between the mobile phone and the mobile phone cradle ▷ 13

Removing the mobile phone ▷ 14

Detaching the mobile phone cradle ▷ 15



Risk of accident

If it is legally permissible to use the mobile phone while driving, only do so when traffic conditions allow for it. You may otherwise become distracted from the traffic, which may lead to an accident in which you or others may become injured.

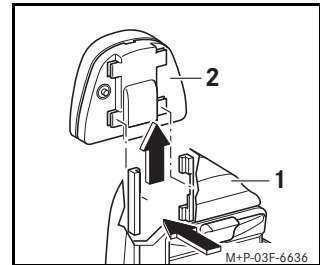
Please comply with the legal regulations of the country in which you are driving when you are using the mobile phone inside the vehicle.

For safety reasons, only use the hands-free system to make calls while driving.

When you are using the mobile phone via the hands-free system, drive with extra caution, close all windows and try to eliminate background noise.

Please pull over or park the car if you do not wish to use the hands-free system to make a call. Do not stop the vehicle or park where it is prohibited to do so.

Fitting the mobile phone cradle



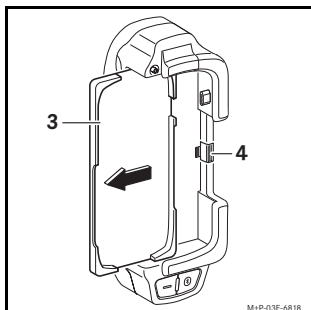
M+P-03F-6636

1. Press the cradle (1) into the catches of the bracket (2) and push it upwards until it audibly engages.

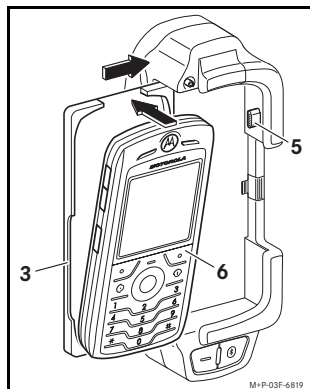
## Inserting the mobile phone

### Notes

The mobile phone should be placed in the mobile phone cradle to charge the batteries and to establish a connection to the external aerial. After a Bluetooth® connection has been established, it is possible to use the mobile phone via the vehicle's operating system/on-board computer within a distance of 10 metres (30 ft) from the cradle, even if the mobile phone is not inserted in the cradle.



1. Press button (4). The bracket (3) is automatically ejected to the side.



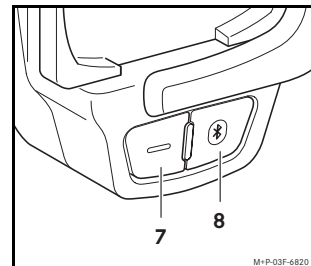
2. Insert the mobile phone (6) into the bracket (3) as shown. Do this without pressing the phone's lateral buttons.
3. Slide the bracket (3) back until it engages into place. The connector (5) must engage in the mobile phone with the cradle

## Pairing the mobile phone with the cradle

### Note

Pairing is possible while the mobile phone is inserted in or removed from the cradle (see ▷ 5 and ▷ 14).

1. Turn the ignition key to position 1 or 2. (Please refer to the vehicle Owner's Manual.)



2. Press the Bluetooth® button (8) for approximately 2 seconds. The LED (7) flashes rapidly. The mobile phone cradle switches to Discovery Mode and can be recognised by the mobile phone.
3. Select the following on the mobile phone: "Menu" → "Connection" → "Bluetooth Link" → "Setup" → "Power: ON". (Please refer to the mobile phone operating instructions.)
4. Select the following on the mobile phone: "Bluetooth Link" → "Hands-free: Search for devices". (Please refer to the mobile phone operating instructions.) The mobile phone establishes contact with the cradle. *MB SLVR Cradle* appears on the mobile phone display to indicate the mobile phone cradle.

5. Select "*MB SLVR Cradle*" on the mobile phone and confirm with "Yes". (Please refer to the mobile phone operating instructions.) After confirmation, a passkey request appears on the display.

6. Enter passkey 62872 on the mobile phone. The LED (7) lights up continuously after the passkey is entered. The mobile phone is now paired with the cradle.

### Note

A maximum of 4 mobile phones of the Motorola SLVR L7 type can be paired with the cradle, although only one is actually connected at any one time. If a fifth mobile phone is paired with the cradle, the mobile phone that was paired first is deleted from the cradle memory.

## Connecting the mobile phone to the cradle

After the mobile phone is paired, the connection between the mobile phone cradle and the mobile phone is established automatically. After the connection between the mobile phone and the cradle has been established, a Bluetooth® display appears continuously in the vehicle's operating system/on-board computer. The name of the mobile network provider is not displayed.

### Notes

If a Bluetooth® display does not appear in the vehicle's operating system/on-board computer, the connection between the mobile phone and the cradle can be established manually (see ▷ 11).

Only one mobile phone can be connected to the cradle at any one time.

With the ignition key in position 1 or 2, the cradle automatically searches for the mobile phone connected last and establishes a connection to this mobile phone. If the mobile phone connected last is not found, the cradle searches for the previously connected mobile phone(s).

The mobile phone uses more power when operating with Bluetooth®. Therefore, the mobile phone should always be placed in the cradle, when possible. The mobile phone battery is charged when the ignition key is in position 1 or 2.

COMAND and the vehicle's operating system/on-board computer can access text messages (SMS). Text messages cannot be written or sent via COMAND or the vehicle's operating system/on-board computer.

The mobile phone cradle does not support the holding and transferring of calls. This feature can be set on the mobile phone, depending on the mobile network provider. (Please refer to the mobile phone operating instructions.) While a call is in progress, an incoming call is indicated by a signal tone.

Not every ring tone can be issued by COMAND or the vehicle's operating system/on-board computer.

### Manually connecting the mobile phone with the mobile phone cradle

#### Note

Before being manually connected, the mobile phone must be paired with the cradle (see ▷ 7).

The Bluetooth® connection can be established manually as follows:

For S-Class vehicles, model series

W/V 22 1, and CL-Class vehicles, model series C 2 16:

- With the COMAND controller, select "Telephone" → "Telephone On". (Please refer to the vehicle Owner's Manual.)

For all other vehicle model series:

- Press the **TEL** button. (Please refer to the vehicle Owner's Manual.)

When the connection between the mobile phone and the cradle has been established, a Bluetooth® display appears continuously in the vehicle's operating system/on-board computer.

The name of the mobile network provider is not displayed.

#### Note

Within a range of approximately 10 metres (30 ft) from the cradle, the Bluetooth® connection remains active. Any incoming calls are automatically accepted on the hands-free system. Therefore, the connection between the mobile phone and the cradle should be disconnected manually when you leave the vehicle (see ▷ 13).

### Automatically disconnecting the Bluetooth® connection between the mobile phone and the mobile phone cradle

The connection between the mobile phone and the mobile phone cradle is automatically disconnected beyond the reception range of approximately 10 metres (30 ft) from the cradle.

#### Note

After the Bluetooth® connection between the mobile phone and the cradle has been disconnected automatically, an active call will automatically be connected to the hands-free system when you approach the vehicle.

### Manually disconnecting the Bluetooth® connection between the mobile phone and the mobile phone cradle

The Bluetooth® connection can be manually disconnected as follows:

For S-Class vehicles, model series

W/V 22 1, and CL-Class vehicles, model series C 2 16:

- With the COMAND controller, select "Telephone" → "Telephone Off". (Please refer to the vehicle Owner's Manual.)

For all other vehicle model series:

- Press the **TEL** button for approximately 3 seconds. (Please refer to the vehicle Owner's Manual.)

On the mobile phone:

- (Please refer to the mobile phone operating instructions.)

#### Notes

During an active call, the connection between the mobile phone and the cradle can only be disconnected on the mobile phone. (Please refer to the mobile phone operating instructions.)

After the Bluetooth® connection is manually disconnected, an active call can be transferred to the vehicle:

For S-Class vehicles, model series

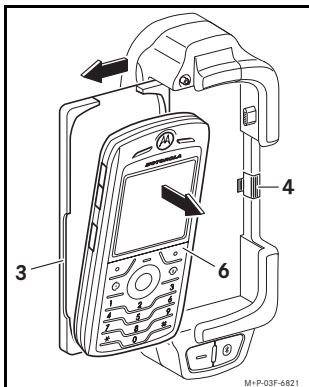
W/V 22 1, and CL-Class vehicles, model series C 2 16:

- With the COMAND controller, select "Tel" → "Telephone on". (Please refer to the vehicle Owner's Manual.)

For all other vehicle model series:

- Press the **TEL** button for approximately 3 seconds. (Please refer to the vehicle Owner's Manual.)

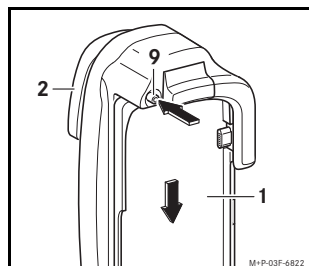
### Removing the mobile phone



1. Press button (4). The bracket (3) is automatically released to the side.
2. Remove the mobile phone (6) as shown without pressing the lateral buttons.
3. Slide the cover (3) back down until it engages.

### Detaching the mobile phone cradle

1. Remove the mobile phone from the cradle (see ▷ 14).



2. Press the release button (9), slide the cradle (1) downwards and remove it from the bracket (2).