

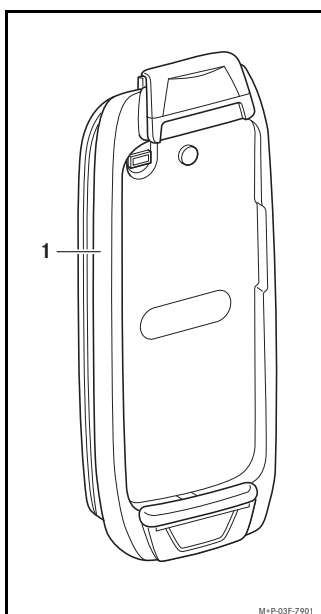


Mercedes-Benz

## Accessories

### Installation Instructions

Mobile telephone cradle  
Nokia C5



M+P-03F-7901

© 2010, Daimler AG

10/10  
03F028-10

#### Contents

<b>Fitting the cradle</b>	▷ 4
<b>Pairing the mobile phone with the cradle</b>	▷ 5
<b>Inserting the mobile telephone</b>	▷ 7
<b>Connecting the mobile phone to the cradle</b>	▷ 8
<b>Connecting the mobile phone to the cradle manually</b>	▷ 9
<b>Enable/disable automatic connection function</b>	▷ 10
<b>Automatically disconnecting the Bluetooth® connection between the mobile phone and the mobile phone cradle</b>	▷ 11
<b>Manually disconnecting the Bluetooth® connection between the mobile phone and the mobile phone cradle</b>	▷ 11
<b>General Operating Instructions</b>	▷ 12
<b>Speed-dial keys</b>	▷ 13
<b>Transferring the phone book</b>	▷ 14
<b>Removing the mobile phone</b>	▷ 15
<b>Removing the cradle</b>	▷ 15

#### Warning!

Please comply with the legal regulations of the country in which you are driving when you use the mobile phone inside the vehicle.

Only install the phone and pair it with the cradle when the vehicle is at a standstill.

If it is legally permissible to use the mobile phone while driving, only do so when the prevailing road, traffic and weather conditions allow for it. You could otherwise cause an accident and injure yourself and others.

Bear in mind that your vehicle covers a distance of almost 14 m (about 44 feet) per second at a speed of only 50 km/h (about 30 mph).

For safety reasons, while driving, only use the hands-free system to make calls. We recommend that you stop your vehicle at a safe location in accordance with the traffic conditions if you do not wish to use the hands-free system to make a call. You could otherwise cause an accident and injure yourself and others.



#### Validity

These installation instructions are valid for vehicles equipped with one of the following:

- Mobile phone fitting with universal interface (Code 386) or
- Mobile phone fitting with universal interface (Code 388)

in conjunction with a Nokia C5 mobile phone.

#### Parts included

- (1) Mobile phone cradle

In the following text, this will be referred to as cradle.

#### Notes

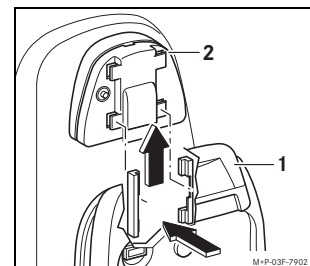
If you encounter difficulties during installation, please contact a qualified specialist workshop. Mercedes-Benz recommends a Mercedes-Benz Service Centre for this purpose.

The manufacturer reserves the right to change technical details from those shown in the illustrations contained in these installation instructions.

These installation instructions also refer to the COMAND and audio system Operating Instructions, the vehicle Owner's Manual and the mobile phone operating instructions. Please keep them handy for reference.

Do not open the cradle. Do not make any modifications to the cradle. Otherwise the certificate of approval is invalidated.

#### Fitting the cradle



Slide the cradle (1) onto the contact plate (2) until it audibly engages.

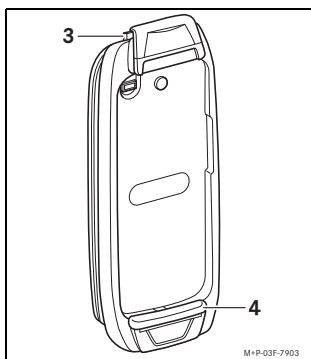
### Pairing the mobile phone with the cradle

The phone must first be paired with the cradle in order to use it for the first time. The mobile phone must be switched on for pairing, and must not be in *Offline* mode. For pairing, the mobile phone does not have to be in the cradle, but it must be in the vehicle.

#### Note (for C-Class vehicles, model series W/S 204)

The mobile phone should always be inserted in the cradle for pairing.

1. Turn the key to position 1, 2 or 3 in the ignition lock. (Please refer to the vehicle Owner's Manual.)



2. Press the Bluetooth® button (3) for approximately 2 seconds. The LED (4) flashes rapidly. The mobile phone cradle switches to Discovery Mode and can be recognised by the mobile phone.
3. Select *Menu* → *Settings* → *Connectivity* → *Bluetooth* → *On* on the mobile phone. (Please refer to the mobile phone operating instructions.)

4. Select *Menu* → *Settings* → *Connectivity* → *Bluetooth* → *Paired devices* → *Options* → *Newly paired device* mobile telephone. (Please refer to the mobile phone operating instructions.)

The mobile phone begins searching for the cradle. When the mobile phone finds the cradle, *MB C5 cradle* appears on the mobile phone.

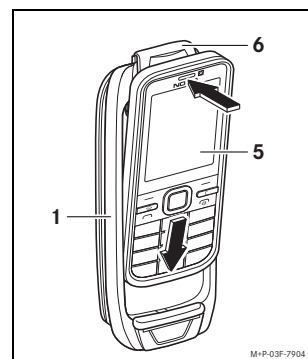
5. Select *MB C5 cradle* on the mobile phone.
6. Press *Yes* to confirm *Accept pairing request from MB C5 Cradle?* on the mobile phone. A passkey prompt appears in the display of the mobile phone.
7. Enter passkey 62872 on the mobile phone.
8. Press *Yes* to confirm *Authorise device to make connections automatically?* on the mobile phone in order to make an automatic connection between the mobile phone and the cradle possible.
9. Press *Yes* to confirm *Accept connection request from MB C5 Cradle?* and *Connect to MB C5 Cradle?* on the mobile phone.
10. The mobile phone is ready to be used with the hands-free system as soon as *Connected with MB C5 cradle* appears on the mobile phone.

#### Note

A maximum of 9 mobile phones may be paired with the cradle. If a tenth mobile phone is paired with the mobile phone cradle, the mobile phone that was paired first is deleted.

### Inserting the mobile phone

It is only possible to use the hands-free system and the telephone functions via the operating system/on-board computer if a Bluetooth® connection is established between the mobile phone and the cradle.



Switch on the mobile phone (5) and insert it into the cradle (1) as shown.

#### Note

Make sure that the locking tab (6) is correctly engaged on the mobile phone (5), as otherwise there is no connection between the mobile phone and the cradle. If necessary, reinsert the mobile phone.

### Connecting the mobile phone to the cradle

After the mobile phone is paired, the connection between the mobile phone cradle and the mobile phone is established automatically. The LED on the cradle lights up continuously.

In order for the hands-free system to function properly, the mobile phone may not simultaneously be connected with the Bluetooth® interface of COMAND or the audio system. (Please refer to the COMAND or audio system operating instructions.)

#### Notes

If the connection between the mobile phone cradle and the mobile phone is not established automatically, it can be established manually (see ▷ 9).

The mobile phone battery is charged when the ignition key is in position 1, 2 or 3.

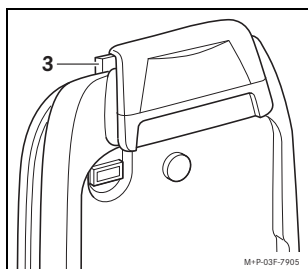
Not every ring tone can be issued by COMAND or the vehicle's operating system/on-board computer.

While there is a connection between the mobile phone and the cradle, the name of the mobile service provider is displayed in the operating system/on-board computer, as long as there is sufficient reception.

### Connecting the mobile phone to the cradle manually

#### Note

Before being manually connected, the mobile phone must be paired with the cradle (see ▷ 5).



1. Press the Bluetooth® button (3) on the cradle.
- or
1. Select *Menu* → *Settings* → *Connectivity* → *Bluetooth* → *Paired devices* → *MB C5 Cradle* → *Connect to audio device* on the mobile phone. (Please refer to the mobile phone operating instructions.)

#### Note

For S-Class vehicles, W/V 221, and CL-Class vehicles, C 216:

- Select *Tel* → *Tel* → *Telephone* using the COMAND controller. (Please refer to the vehicle Owner's Manual.)

On some model series

- Press the **TEL** button. (Please refer to the COMAND or audio system operating instructions.)

### Enable/disable automatic connection function

1. Select *Menu* → *Settings* → *Connectivity* → *Bluetooth* → *Paired devices* on the mobile phone. (Please refer to the mobile phone operating instructions.)

2. Select *MB C5 cradle* on the mobile phone.

3. Select *Options* → *Authorised* on the mobile phone. Press *Yes* to confirm *Connections will take place automatically without confirmation. Continue?* on the mobile phone. (Please refer to the mobile phone operating instructions.)

or

3. Select *Options* → *Set as unauthorised* on the mobile phone to disable automatic connections.

#### Note

Within a range of several metres from the cradle, the Bluetooth® connection remains active and any incoming calls are taken on the hands-free system. Therefore, the connection between the mobile phone and the cradle should be disconnected manually when you leave the vehicle (see ▷ 11).

### Automatically disconnecting the Bluetooth® connection between the mobile phone and the mobile phone cradle

The connection between the mobile phone and the mobile phone cradle is automatically disconnected if you move beyond the reception range of several metres.

### Manually disconnecting the Bluetooth® connection between the mobile phone and the cradle

The Bluetooth® connection can be manually disconnected as follows:

For S-Class vehicles, W/V 221, and CL-Class vehicles, C 216:

- Select *Tel* → *Tel* → *Telephone off* using the COMAND controller. (Please refer to the vehicle Owner's Manual.)

On the mobile phone:

- Select *Menu* → *Settings* → *Connectivity* → *Bluetooth* → *Paired devices* → *MB C5 Cradle* → *Disconnect* (Please refer to the mobile phone operating instructions.)

#### Notes

During an active call, the connection between the mobile phone and the cradle can only be disconnected on the mobile phone. (Please refer to the mobile phone operating instructions.)

After the Bluetooth® connection has been manually disconnected, an active call can be connected in by pressing the Bluetooth® button on the cradle.

### General notes on operation

When you are using the mobile phone via the hands-free system, drive with extra caution, close all windows and try to eliminate background noise.

When the mobile phone is inserted in the cradle, the ringing tone always sounds, even if the *Silent* profile is enabled.

There should not be too many text messages (SMS) stored in the inbox folder of the mobile phone. (Please refer to the mobile phone operating instructions.)

For information on operating the mobile phone via the multi-function steering wheel, please refer to the COMAND and/or audio system operating instructions and/or the vehicle Owner's Manual.

Press the **+** or **-** button to adjust the volume during a phone call.

The settings for the transmission of the phone number in hands-free mode must be made by the network provider or the service provider. To make these settings, please contact the network provider or the service provider.

If a call is made directly from the mobile phone while there is an active connection between the cradle and the mobile phone, the phone number will not be transmitted or displayed.

### Speed-dial keys

#### Note

For vehicles manufactured before 08/2008<sup>1</sup>: there is a possibility that the speed-dial buttons cannot be called up.

#### Speed-dial key for mailbox

The **1** key can be programmed as a speed-dial key for your mailbox.

Add the following entry to the phonebook. (Please refer to the mobile phone operating instructions.)

Name: Mailbox  
phone number: Number of mailbox.

#### Other speed-dial keys

It is possible to access the speed-dial keys 2 to 9 via the buttons **2** to **9** on COMAND or the audio system.

#### Note

You must save speed-dial numbers on memory keys 2 to 9 on the SIM card according to your preference.

#### Calling up the speed-dial keys

Press the corresponding button on COMAND and/or the audio system for approx. 3 seconds.

1. Information on this is available at any Mercedes-Benz Service Centre.

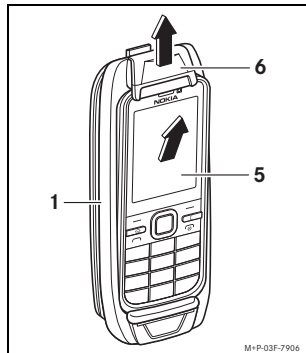
### Transferring the phonebook

In order to use the mobile phone phonebook on the COMAND or the audio system, it must be transferred via the cradle. The phone book is transferred automatically after the Bluetooth® connection has been established. The download can take up to 10 minutes, depending on the size of the phone book, and will be indicated by a symbol on the display of the mobile phone.

#### Note

The phone book transfer is vehicle-specific. On vehicles with a date of manufacture before 08/2008<sup>2</sup> it is possible that two numbers can be transferred for each phone book entry. The transferred numbers will be saved in two individual phone book entries in COMAND or the audio system and will be assigned to the corresponding category (for example M for mobile). The sorting order set for the phonebook entries on the mobile phone will be adopted.

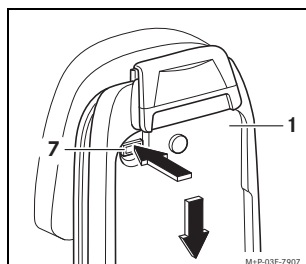
### Removing the mobile phone



Slide the locking tab (6) upwards and remove the mobile phone (5) from the cradle (1).

### Removing the cradle

1. Remove the mobile phone from the cradle (see above).



2. Press the release button (7), slide the cradle (1) downwards and remove.

2. Information on this is available at any Mercedes-Benz Service Centre.