

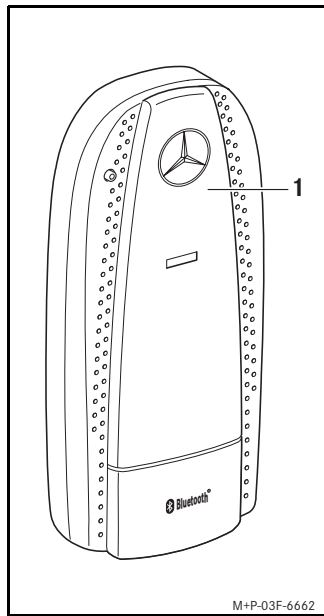


Mercedes-Benz

Accessories

Installation Instructions

Mercedes-Benz Telephone Module with Bluetooth® wireless technology



M+P-03F-6662



Validity

These installation instructions are valid for vehicles equipped with a

- mobile phone fitting with interface (code 386) or
- Mercedes-Benz mobile phone (code 388)

in combination with a Bluetooth®-capable mobile phone approved by Mercedes-Benz. Vehicles equipped with an infrared-reflecting windshield are not covered by these installation instructions.

Using the telephone module with mobile phones that have not been approved by Mercedes-Benz may lead to malfunctions.

Parts included

- (1) Mercedes-Benz telephone module with Bluetooth® Wireless Technology

In the following text, this will be referred to as "telephone module".

Notes

Please contact a qualified specialist workshop if you encounter difficulties when fitting the telephone module. Mercedes-Benz recommends that you use a Mercedes-Benz Service Centre for this purpose.

The manufacturer reserves the right to change technical details from those shown in the illustrations contained in these installation instructions.

These installation instructions also refer to the COMAND and Audio Operating Instructions, the vehicle Owner's Manual and the mobile phone operating instructions. Please keep these handy for reference.

© 2007, Daimler AG

02/07
03F074-06

Contents

Fitting the telephone module ▷ 4

Pairing and connecting

- Requirements ▷ 5
- General notes ▷ 5
- Pairing procedure ▷ 6
- Automatic connection ▷ 8
- Manual connection ▷ 8

Manufacturer-specific mobile phone features ▷ 10

Disconnecting

- Automatic disconnection ▷ 11
- Manual disconnection ▷ 11

Removing the telephone module ▷ 12



Risk of accident

Please comply with the legal regulations of the country in which you are driving when you use the mobile phone inside the vehicle.

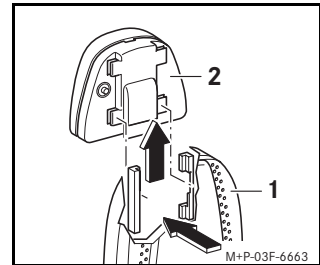
If it is legally permissible to use the mobile phone while driving, only do so when traffic conditions allow for it. You may otherwise become distracted from the traffic, which may lead to an accident in which you or others may be injured.

For safety reasons, while driving, only use the hands-free system to make calls.

When you use the mobile phone via the hands-free system, drive with extra caution, close all windows, try to eliminate background noise and observe the traffic situation.

Please pull over or park the car if you do not wish to use the hands-free system to make a call. Do not stop the vehicle or park where it is prohibited to do so.

Fitting the telephone module



1. Press the telephone module (1) onto the contact plate (2) until it engages.

Pairing the telephone module with the mobile phone

Mobile phone requirements for pairing (Please refer to the mobile phone operating instructions.)

- The mobile phone must be switched on and Bluetooth® must be activated. (Please refer to the mobile phone operating instructions.)
- The mobile phone requires more power when in Bluetooth® mode. Therefore, the mobile phone's battery should always be sufficiently charged.
- The mobile phone must be within a 10 metre (30 ft) reception range of the telephone module.

General notes

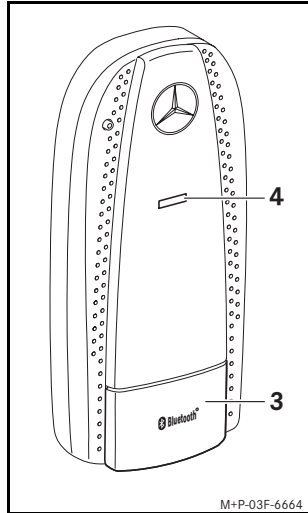
- When the vehicle is unlocked, a connection can be established automatically between a paired mobile phone and the telephone module. To use the mobile phone, however, the key must be in position 1 or 2 in the ignition.
- A maximum of 4 mobile phones may be paired with the telephone module. If a fifth mobile phone is paired, the first mobile phone in the list is deleted.
- SMS messages cannot be accessed via COMAND or the audio system while in Bluetooth® mode.
- The telephone module does not support the holding and transferring of calls. While a call is in progress, an incoming call is indicated by a signal tone.

Pairing procedure

Note

For certain mobile phones, specific settings must be made and manufacturer-specific features must be taken into account for the telephone module to function properly. If the following procedure is unsuccessful, please read the chapter on "Manufacturer-specific mobile phone features" (▷ 10).

1. Turn the key to position 1 or 2 in the ignition. (Please refer to the vehicle Owner's Manual.)



2. Press the button (3) on the telephone module for 2-3 seconds. The LED (4) flashes rapidly.

Connecting the telephone module with the mobile phone

Note

Before connecting, the mobile phone must be paired with the telephone module (▷ 6).

Automatic connection

The connection between a paired mobile phone and the telephone module is established automatically when the vehicle is unlocked. The telephone cannot be used until the key is in position 1 or 2 in the ignition. If the connection is not established automatically, it can be established manually. (Please refer to the information provided below.)

Manual connection

Valid for S-Class vehicles, model series 221, and CL-Class vehicles, model series 216:

1. Using the COMAND controller, select "Telephone" → "Telephone on".

Valid for all other model series:

1. On COMAND or the audio system, press the **TEL** button.

Notes

Depending on the mobile phone being used, it must be confirmed that the connection has been established. (Please refer to the mobile phone operating instructions.)

After a paired mobile phone is connected, the hands-free system can be used to make calls.

With the key in position 1 or 2 in the ignition, the telephone module automatically searches for the mobile phone connected most recently and establishes a connection to this mobile phone. If this mobile phone cannot be located, the telephone module searches for a paired mobile phone until one is within its range. The LED (4) flashes quickly to indicate that the telephone module is searching for a mobile phone.

Only one mobile phone can be connected with the telephone module at any one time.

While the connection between the telephone module and a mobile phone is active, the Bluetooth® name of the connected mobile phone appears on COMAND or the audio system. The name of the mobile network provider is not displayed.

Manufacturer-specific mobile phone features

Pairing procedure for Sony Ericsson mobile phones

On the mobile phone, select Menu → Settings → "Registration card" Connectivity → Bluetooth → New devices.

If the pairing procedure takes more than two minutes, switch the mobile phone off and on. Then repeat the pairing procedure (▷ 6).

After the pairing procedure (▷ 6), the message MB PhoneSystem requesting access to use your phone as a modem/Internet appears on the mobile phone display. Confirm this message with Yes and select Always allow.

On some mobile phones, incoming and outgoing calls within range are automatically transferred to the telephone module if:

- the mobile phone is paired and
- no other mobile phone is connected with the telephone module.

Siemens BenQ mobile phones

On some mobile phones, incoming calls within range are automatically transferred to the telephone module.

BlackBerry mobile phones

On some mobile phones, telephone book entries cannot be transferred to the telephone module if the keypad of the mobile phone is locked. Therefore, the keypad of the mobile phone should be unlocked when entering the vehicle. (Please refer to the mobile phone operating instructions.)

3. On the mobile phone, open the Bluetooth® menu and activate the device search. (Please refer to the mobile phone operating instructions.) When the telephone module is found, it is displayed as MB PhoneSystem.

4. Enter the PIN 62872 on the mobile phone when requested to do so. Depending on the particular mobile phone being used, PIN entry must be confirmed. (Please refer to the mobile phone operating instructions.) If the mobile phone was successfully paired, the LED (4) lights up continuously and the information on the mobile phone is stored in the telephone module.

Disconnecting the telephone module from the mobile phone

Note

During an active call, the connection between the mobile phone and the telephone module can only be disconnected on the mobile phone. (Please refer to the mobile phone operating instructions.) This procedure will not disconnect a call which is in progress.

Automatic disconnection

When the mobile phone is out of the telephone module's range, the mobile phone is automatically disconnected.

Manual disconnection

Valid for S-Class vehicles, model series 221, and CL-Class vehicles, model series 216:

- Using the COMAND controller, select "Telephone" → "Telephone off" and confirm.

Valid for all other model series:

- Press and hold the **TEL** button for approx. 3 seconds on COMAND or the audio system.

Manually disconnecting the mobile phone

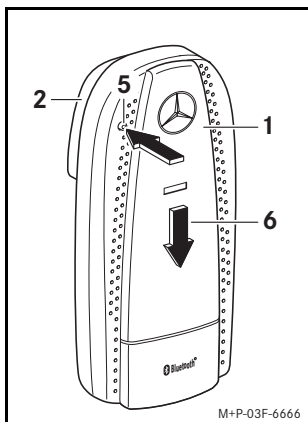
- (Please refer to the mobile phone operating instructions.)

Notes

When the Bluetooth® connection has been manually disconnected, an automatic search is not performed when the key is in position 1 or 2 in the ignition.

When within range, the Bluetooth® connection remains active and any incoming calls are received on the hand-free system. Therefore, the connection between the mobile phone and the telephone module should be disconnected manually when you leave the vehicle.

Removing the telephone module



- Press the release button (5), push the telephone module (1) down in the direction of the arrow (6) and remove it from the contact plate (2).