



Mercedes-Benz

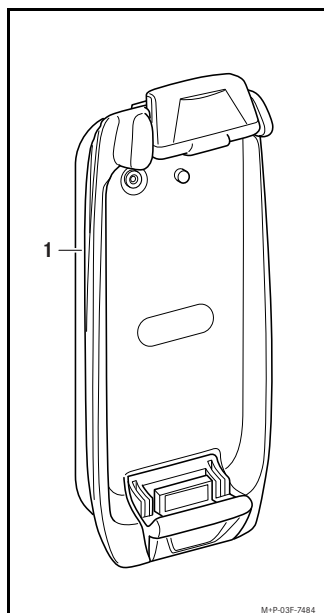
Accessories

Installation Instructions

Mobile phone bracket Apple iPhone®

© 2010, Daimler AG

09/10
03F043-10



M1P-03F-7484

1



Validity

These installation instructions are valid for vehicles equipped with a

- Mobile phone fitting with interface (Code 386) or
- Mercedes-Benz mobile phone (code 388)

Each in combination with Apple iPhone®.

Components

- (1) Mobile phone cradle

In the following text, this will be referred to as "cradle".

Notes

Please contact a qualified specialist workshop if you encounter difficulties when fitting the telephone module. Mercedes-Benz recommends that you use a Mercedes-Benz Service Centre for this purpose.

The manufacturer reserves the right to change technical details from those shown in the illustrations contained in these installation instructions.

These installation instructions also refer to the COMAND and Audio Operating Instructions, the vehicle Owner's Manual and the mobile phone operating instructions. Please keep them handy for reference.

Do not open up the cradle and do not make any modifications on the cradle. Otherwise the type approval will be rendered invalid.

The installation and operation is described for the Apple iPhone® 3G mobile phone.

2

Contents

- Fitting the holder** ▷ 4
- Inserting the mobile phone** ▷ 5
- Pairing the mobile phone with the cradle** ▷ 6
- Connecting the mobile phone to the cradle** ▷ 7
- Switching to hands-free mode** ▷ 8
- General notes on operation** ▷ 9
- Removing the mobile phone** ▷ 10
- Removing the cradle** ▷ 10

Warning

When using the iPhone® inside the vehicle, please comply with the laws of the country in which you are currently driving.

If it is legally permissible to use the mobile phone while driving, only do so when traffic conditions allow for it. You may otherwise become distracted from the traffic, which may lead to an accident in which you or others may be injured.

Bear in mind that your vehicle covers a distance of almost 14 m (about 44 feet) per second at a speed of only 50 km/h (about 30 mph).

3

Warning

For safety reasons, while driving, only use the hands-free system to make calls. We recommend that you stop your vehicle at a safe location in accordance with the traffic conditions if you do not wish to use the hands-free system to make a call. You could otherwise cause an accident and injure yourself and others.

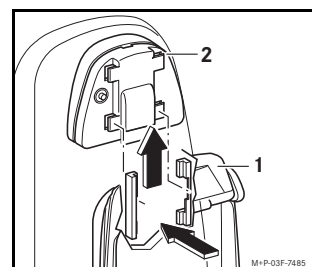
Only pair and connect the iPhone® with the cradle when the vehicle is at a standstill. Only operate the system when the road, weather and traffic conditions allow. You could otherwise cause an accident and injure yourself and others.

In many countries, as in most US states, it is illegal to watch videos, live streams or actively participate in chats while driving.

Before starting the journey, please deactivate all pop-ups on your iPhone®. (Please refer to the iPhone® manual.)

4

Fitting the holder

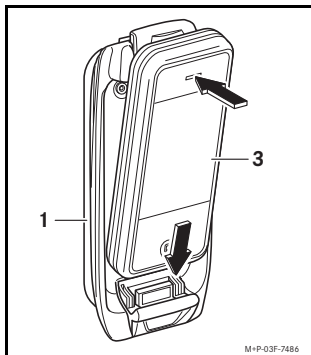


M1P-03F-7485

1. Slide the cradle (1) onto the contact plate (2) until it audibly engages.

Inserting the mobile phone

It is only possible to use the hands-free system and the telephone functions via the operating system/on-board computer if there is a Bluetooth® connection between the mobile phone and the cradle.



1. Place the mobile phone (3) onto the plug connector of the cradle (1) and guide it into the cradle using light pressure above the display until it audibly engages into place.

M-P-03F-7486

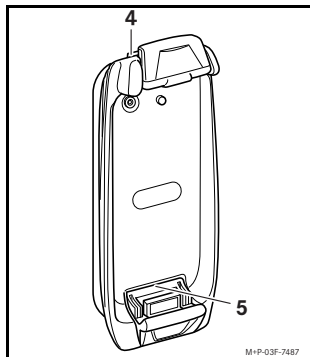
Pairing the mobile phone with the cradle

For pairing, the mobile phone must be in the vehicle but not in the cradle.

Note

The mobile phone should be fully charged for the pairing with the cradle.

1. Turn the ignition key to position 1, 2 or 3. (Please refer to the vehicle Owner's Manual.)



2. Press the Bluetooth® button (4) for approximately 2 seconds. The LED (5) flashes rapidly.

The cradle is available for approx. 2 minutes to establish a Bluetooth® connection and can be found by the mobile phone.

3. Select "Settings" → "General" → "Bluetooth" on the mobile phone and set the button to "I". (Please refer to the mobile phone operating instructions.)

The mobile phone begins searching for the cradle. The message "iPhone Cradle" appears in the display of the mobile phone if the cradle was found by the mobile phone.

M-P-03F-7487

4. Select "iPhone Cradle" on the mobile phone.

A passkey prompt appears in the display of the mobile phone.

5. Enter the numbers 62872 on the mobile phone and confirm with "Connect" or "Pair".

6. The mobile phone is now ready to be used with the hands-free system.

Note

A maximum of 4 mobile phones may be paired with the cradle. If a fifth mobile phone is paired with the mobile phone cradle, the mobile phone that was paired first is deleted.

Connecting the mobile phone to the cradle

After the pairing, the connection between the mobile phone and the cradle is established automatically. The LED on the cradle lights up continuously.

In order for the hands-free system to function properly, the phone may not be connected with the Bluetooth® interface of COMAND or the Audio System. Please refer to the separate Operating Instructions of COMAND or the Audio System.

Insert the mobile phone in the cradle and turn the ignition key to position 1, 2 or 3. (Please refer to the vehicle Owner's Manual.)

Note

Briefly press the Bluetooth® button if you would like to manually connect to a different mobile phone (the next paired mobile phone) instead of automatically connecting to the mobile phone inserted in the cradle.

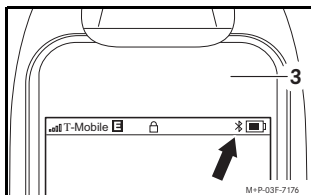
The existing connection between mobile phone and cradle is disconnected and the next paired mobile phone is searched for.

Switching to hands-free mode

Note

When you are using the mobile phone via the hands-free system, drive with extra caution, close all windows and try to eliminate background noise.

For the hands-free system to operate properly, the mobile phone has to be inserted and switched on, and hands-free mode has to be activated.



The Bluetooth® symbol (arrow) in the display of the mobile phone changes from grey to white.

Note

If you have activated "Airplane mode", no connection will be established between the cradle and the inserted mobile phone. (Please refer to the mobile phone operating instructions.)

M-P-03F-7176

General notes on operation

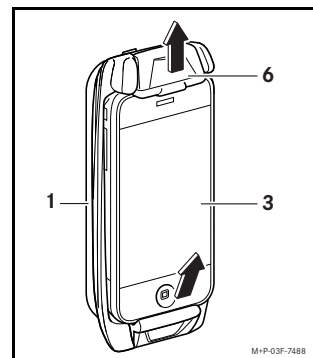
If the mobile phone is placed in the cradle during an active call, the telephone number will not be displayed on COMAND and/or the audio system.

For information on operating the mobile phone via the multi-function steering wheel, see the COMAND and/or Audio Operating Instructions and/or the vehicle Owner's Manual.

COMAND and the vehicle's operating system/on-board computer cannot access text messages (SMS).

The mobile phone battery is charged when the ignition key is in position 1, 2 or 3.

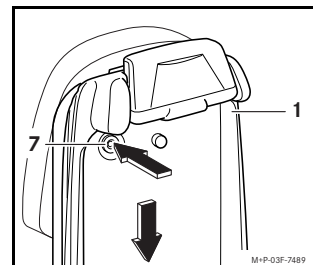
Removing the mobile phone



1. Slide the locking tab (6) upwards and remove the mobile phone (3) from the cradle (1).

Detaching the mobile phone cradle

1. Remove the mobile phone from the cradle (see above).



2. Press the release button (7), slide the cradle (1) downwards and remove.

M-P-03F-7489